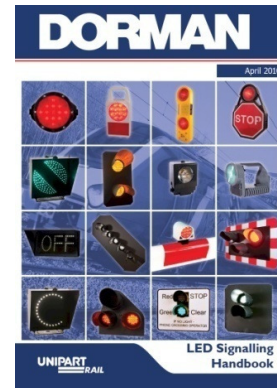


Level Crossing



The Level Crossing Range is just part of the wider portfolio of Dorman products which cover every part of the railway.



The LED Handbook contains full details of all the rail products. Contact us to receive your copy, or visit unipartrail.com/ledhandbook for the PDF version

Dorman's LED Signaling Range:

With over 25 years of experience in LED Rail Signaling, Dorman has a complete range of Network Rail approved LED signals that are backwards compatible with the existing systems on the UK infrastructure.

This comprehensive range covers nearly 500 approved items to date and Dorman has in excess of 60,000 signals now installed across the network. Where Dorman LED signals have been installed, failures and delays associated with the signal heads have been virtually eliminated.

Dorman, Design & Manufacturing Capabilities:

Dorman's engineering heritage goes back over 130 years. The innovation and design-led business philosophy revolves around listening closely to customers and ensuring product development is always focused on their requirements. Dorman is a leading light in rail with extensive product ranges available throughout the UK and in more than 30 countries across five continents.

Dorman has been at the forefront of LED technology since the 1980's. LED lighting offers unrivalled safety and economic benefits when compared to filament bulbs and the company's technological leadership has resulted in several industry 'firsts', including ConeLITE, the industry-standard warning lamp for road hazards, and the Dorman Position Light Signal, introduced in 2000 and the first LED signal which controlled train movement to be fully approved by Network Rail to Group Standards

Contact Details:

Dorman's range is distributed through Unipart Rail:

Unipart Rail
Gresty Road
Crewe
Cheshire
CW2 6EH

Tel: +44 (0)1270 847600
E-Mail: enquiries@unipartrail.com

www.dorman.co.uk
www.unipartrail.com

DORMAN

LED Miniature Stop Light



The Dorman LED Miniature Stop Lights are fully Network Rail approved.

- Directly interchangeable with existing filament units
- No design changes at site required
- Fits directly onto existing post
- Not affected by variations in supply voltage
- Supply Voltage 110Vac/120Vdc
- LED technology gives long predictable service life
- Improved visibility
- LED light source provides increased safety and reliability
- Significantly reduced maintenance costs
- Bilingual English/Welsh versions available



UNIPART
RAIL

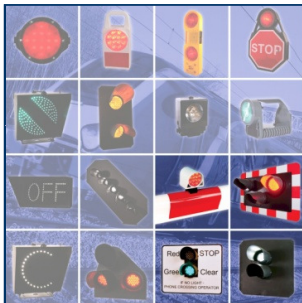
DORMAN

LED Miniature Stop Light

Product Details

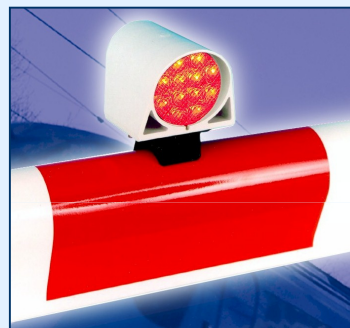
Benefits

- Eliminates lens burn
- No design changes at site required
- Increased safety and reliability
- Dual language units available to customers specification
- Directly interchangeable with existing filament units



The Miniature Stop Light is just one of our range of Level Crossing products from Unipart Rail and Dorman. Other products in our Level Crossing Range are:

LED Barrier Boom



Driver's Crossing Indicator



WigWags



Blocking Back Sign

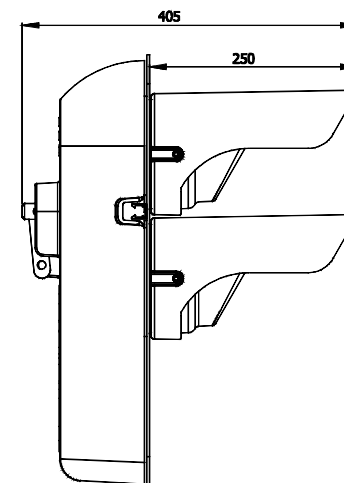


Key Specifications

- Operating Temperature Range: -25°C to +40°C
- Nominal Operating Voltage: 110Vdc/120Vdc
- Operating Voltage Range: Max 121Vac Min 88Vac
Max 145Vdc Min 88Vdc
- Nominal Operating Current: 300mA @ 110Vac per light source
- Current proving: Relay based interlocking or SSI

Mounting Arrangements

Mounts directly to a 60.3mm diameter post as seen in drawing BRS-SM91.

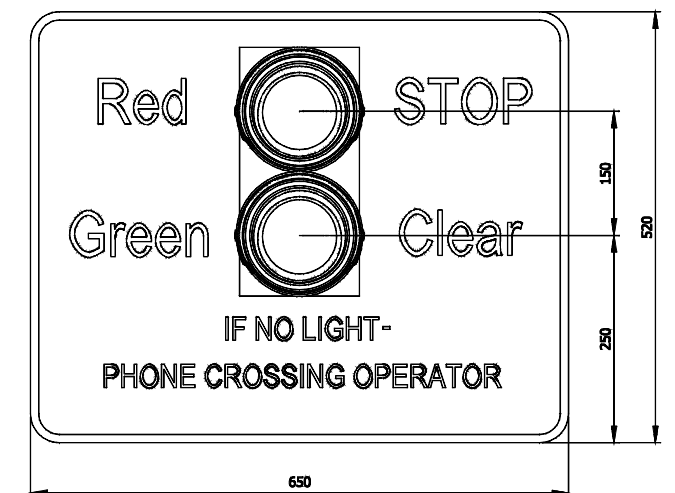


Modular

Each signal module is a self-contained IP65 sealed unit and the housing is a IP54 sealed unit.

Compliances

The Miniature Stop Light is Network Rail approved and compliant with RT/E/S10110.



Network Rail Product Acceptance No:
PA05/02619 LED Miniature Stop Light (Red and Green Crossing Lights)

PADS No:	
Miniature Stop Light Head, 2 Aspect, (Phone Crossing Operator)	0086/009260
Miniature Stop Light Head, 2 Aspect, Bi-lingual English/Welsh (Phone Crossing Operator)	0086/009263
Miniature Stop Light Head, 2 Aspect, (Proceed With Caution)	0086/009261
Miniature Stop Light Head, 2 Aspect, Bi-lingual English/Welsh. (Proceed With Caution)	0086/009264
LED Signal Lamp Module, Red, Proved, Ground, with Visor	0086/001294
LED Signal Lamp Module, Green, Proved, Ground, with Visor	0086/001299
Anti Vandal Guard (Dorman Part Number)	B20.19248