



Pictorial representation only

European Marker Tail Lamp

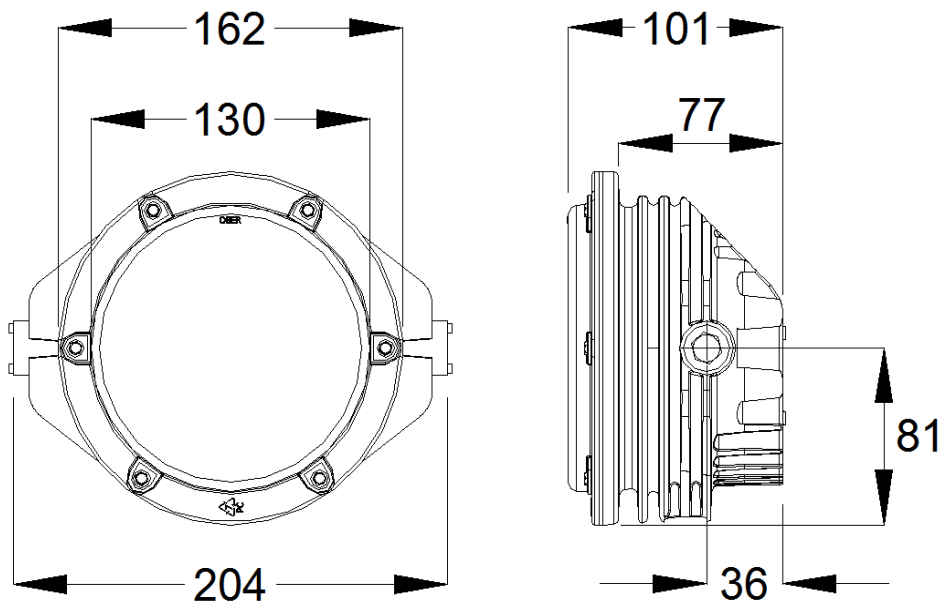
Benefits

- > **Dual Aspect Red Tail / White Marker Lamp**
- > **High reliability LEDs**
- > **Dramatically reduces train maintenance and running costs**
- > **The unit can be easily fitted onto an existing bracket or adapted for any mounting on a vehicle**
- > **Increased safety and reliability**
- > **Available for supply voltages of 110Vdc, 74Vdc and 24Vdc**
- > **Nominal current white aspect 900mA**
- > **Nominal current red aspect 40mA**
- > **Rated to IP66**
- > **Total weight 2.2kg**
- > **Aluminium cast assembly**
- > **High impact resistant polycarbonate lens**
- > **Stainless steel fixings**
- > **Breathing mechanism to reduce condensation**
- > **RoHS compliant**

In accordance with:

UIC 532	Freight wagons and passenger coaches; signal supports; passenger coaches; fixed electrical signals
UIC 534	Signals and signal supports of locomotives, motor units and multiple units
DIN 6163-4	Colours and colour limits for signal lights; railway signal lights
EN 50121-3-2	Railway applications – electromagnetic compatibility rolling stock – apparatus
EN 50125-1	Environmental conditions of equipment – equipment on board rolling stock
EN 50153	Railway applications – rolling stock – protective provisions relating to electrical hazards
EN 50155	Electronic equipment on rail vehicles
EN 15153-1	Railway applications – External visible & audible devices for high speed trains – Part 1: Head, Marker & Tail Lamps

General Dimensions



Alternative housings and mountings to individual vehicle requirements available on request

DORMAN
 Wennington Road
 Southport
 Merseyside
 UK PR9 7TN
 T: +44 (0) 1704 518000
 F: +44 (0) 1704 518001
 E: sales@dorman.co.uk
 www.dorman.co.uk



Certificate No. FM14371