



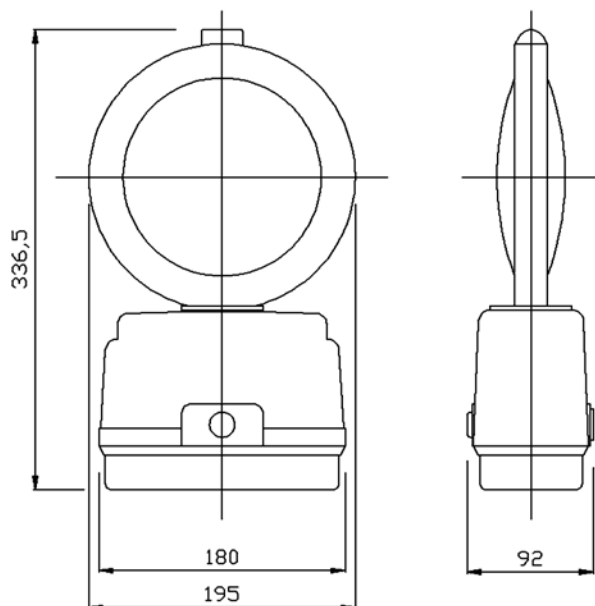
Trafi SignLITE

Benefits Include

- > Outstanding performance using single super bright LED
- > Robust polypropylene body provides high strength
- > Tough, high impact resistant polycarbonate unidirectional lens designed for maximum light output and incorporates metal carrying handle
- > On/off switch facilitates simple, rapid operation and is concealed by a grommet
- > The orientation of the batteries can be in any direction making replacement quick and easy
- > Air alkaline batteries may be used for significantly extra life.
- > Operates with 2 batteries

High intensity, white LED lamp used to illuminate road signs

- > Photocell switch control extends time between battery changes
- > Cone bracket available as optional extra
- > Anti-theft bolt discourages battery theft



| | |
|------------------------------|-------------|
| Weight (excluding batteries) | 685g |
| Standard zinc carbon battery | 540g (each) |
| DAAB25 air alkaline battery | 640g (each) |
| DAAB50 air alkaline battery | 740g (each) |

DORMAN
Wennington Road
Southport PR9 7TN
T: +44 (0)1704 518000
F: +44 (0)1704 518001
E: sales@dorman.co.uk
www.dorman.co.uk



Certificate No. FM14371