



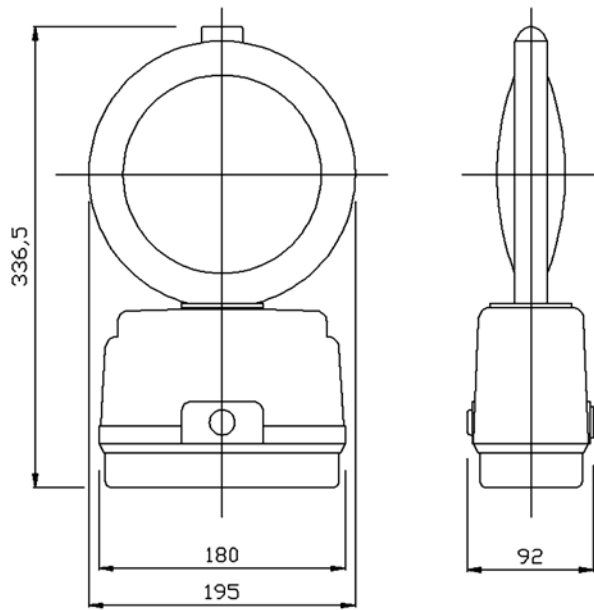
### TrafiLITE

#### Benefits Include

- > Tungsten filament bulb supplied. Lamp operates in either flashing or steady mode
- > Robust polypropylene body provides high strength
- > High impact resistant tough polycarbonate lens designed for maximum light output and incorporates retro-reflective ring
- > Operates with one or two batteries. The orientation of the batteries can be in any direction making replacement quick and easy. Anti-theft bolt discourages battery theft
- > Concealed, key operated, tamper proof "on/off" switch

### Popular hazard warning lamp

- > Optional automatic photocell "dusk to dawn" control improves battery life
- > Scaffold bracket available as optional extra
- > Cone bracket available as optional extra
- > Complies with BS3143 Part 2 & BSEN13252:2000



Weight (excluding batteries)	685g
Standard zinc carbon battery	540g (each)
DAAB25 air alkaline battery	640g (each)
DAAB50 air alkaline battery	740g (each)

Can be supplied flashing or steady. Flash rate – 60 flashes/min

DORMAN  
Wennington Road  
Southport PR9 7TN  
T: +44 (0)1704 518000  
F: +44 (0)1704 518001  
E: sales@dorman.co.uk  
www.dorman.co.uk



Certificate No. FM14371