



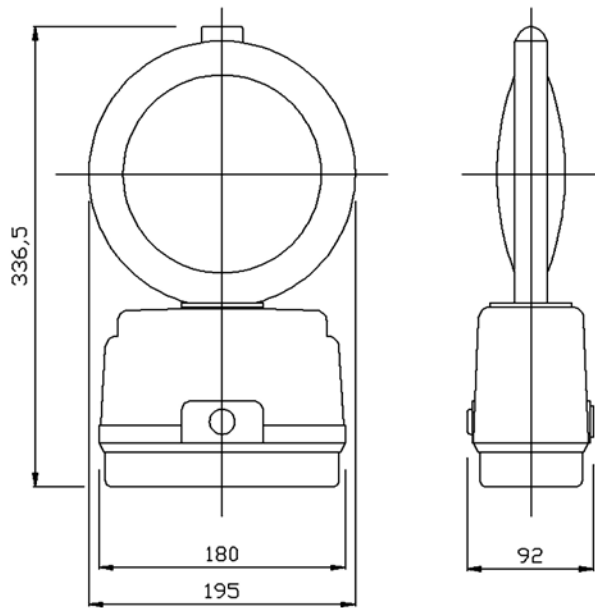
Trafi SignLITE

Benefits Include

- > Outstanding performance using single super bright LED
- > Robust polypropylene body provides high strength
- > Tough, high impact resistant polycarbonate unidirectional lens designed for maximum light output and incorporates metal carrying handle
- > On/off switch facilitates simple, rapid operation and is concealed by a grommet
- > The orientation of the batteries can be in any direction making replacement quick and easy
- > Air alkaline batteries may be used for significantly extra life.
- > Operates with 2 batteries

High intensity, white LED lamp used to illuminate road signs

- > Photocell switch control extends time between battery changes
- > Cone bracket available as optional extra
- > Anti-theft bolt discourages battery theft



Weight (excluding batteries)	685g
Standard zinc carbon battery	540g (each)
DAAB25 air alkaline battery	640g (each)
DAAB50 air alkaline battery	740g (each)

DORMAN
 Rufford Road
 Crossens
 Southport PR9 8LA
 T: +44 (0)1704 220911
 F: +44 (0)1704 232221
 E: sales@dorman.co.uk
 www.dorman.co.uk



Certificate No. FM14371