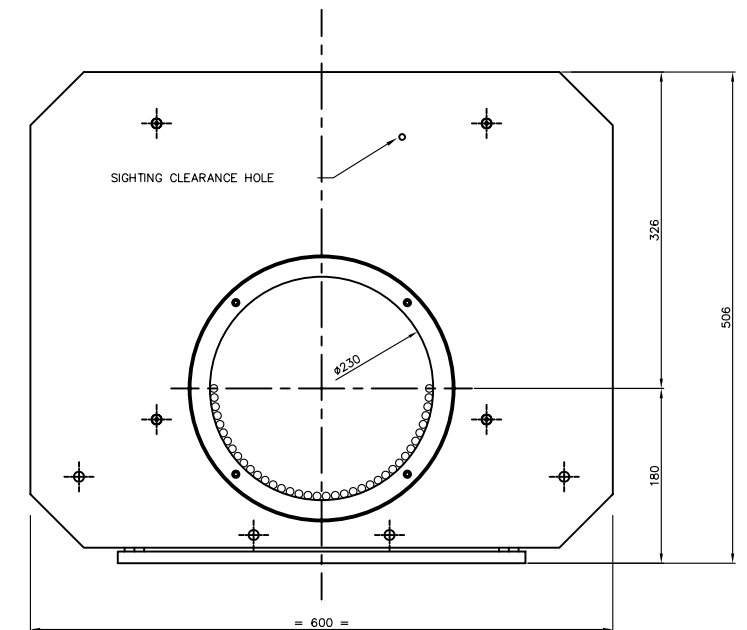
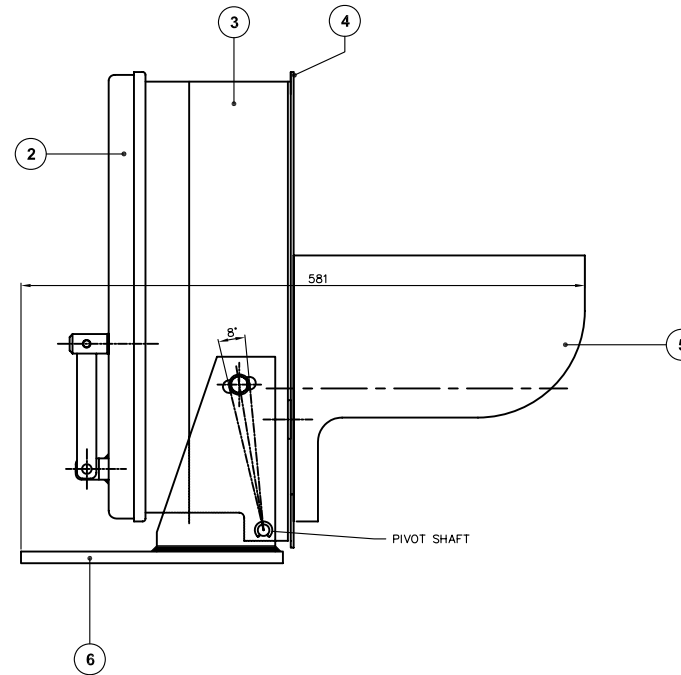
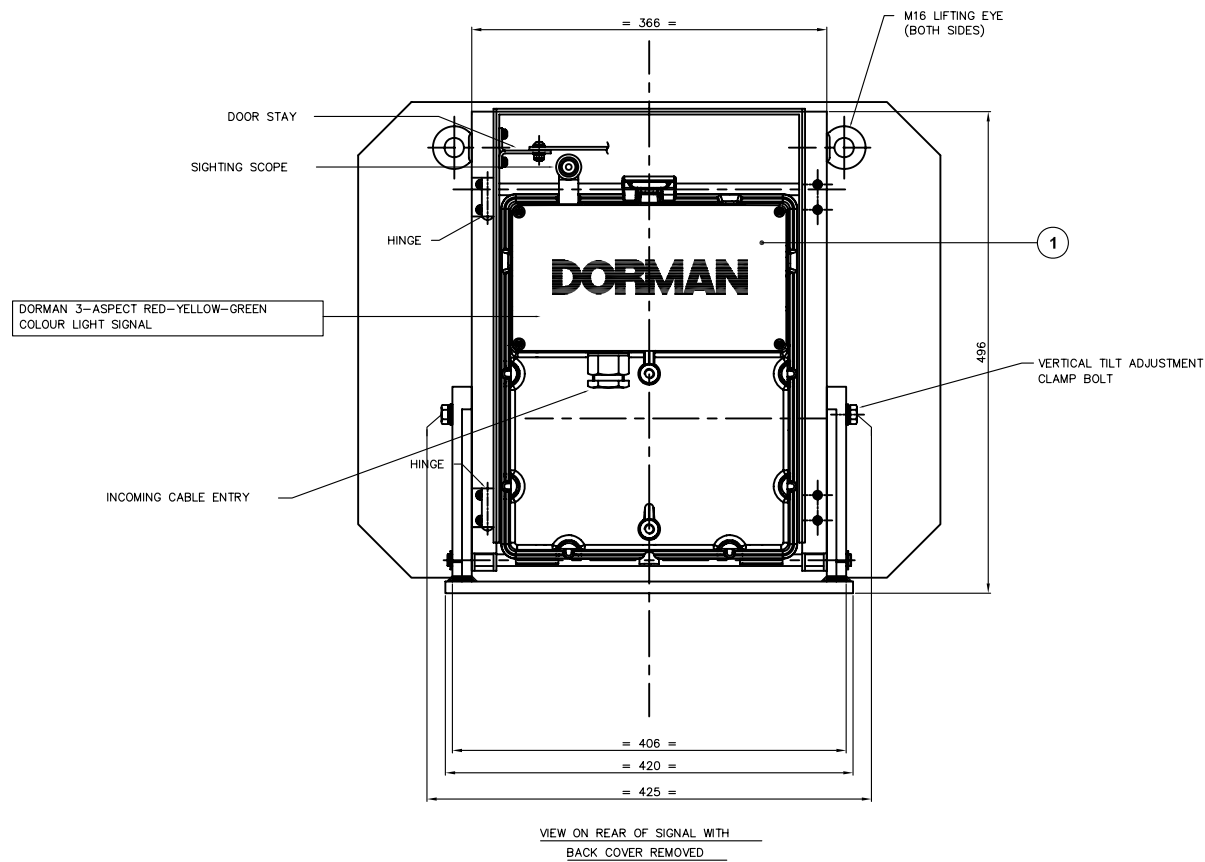
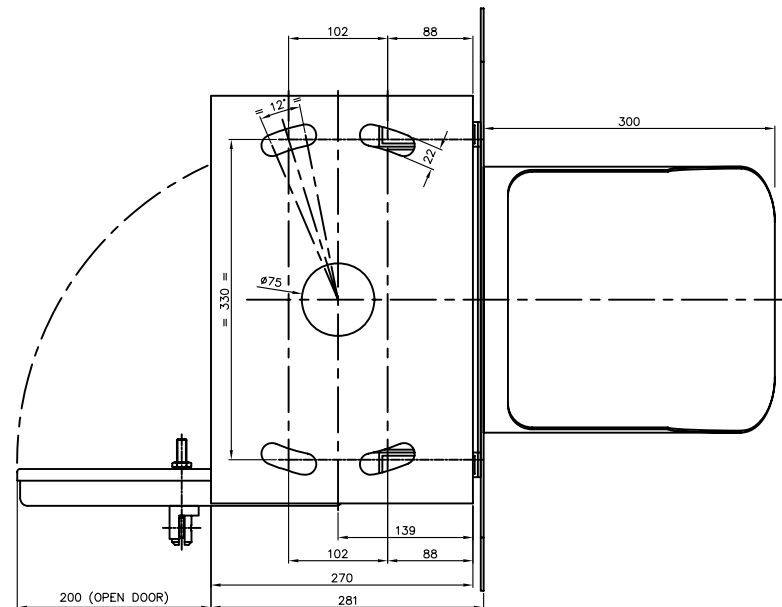


ITEM	QTY	PART N°	MATERIAL	DESCRIPTION
1	1	CLTM/3RYG/1P/BH	CAST ALUMINIUM ENCLOSURE	DORMAN 3-ASPECT RED-YELLOW-GREEN COLOUR LIGHT SIGNAL. PADS No. TBA
2	1	B20.19154	ALUMINIUM	DOOR
3	1	B20.19155	ALUMINIUM FABRICATION	1-LENS, 3-ASPECT FRAME
4	1	B20.19156	ALUMINIUM	BACK BOARD 1-APERTURE, 3-ASPECT FRAME
5	1	B20.19104	ALUMINIUM	VISOR
6	1	B20.19124	ALUMINIUM FABRICATION	MOUNTING PLATE
1		D86.85055		FRAME ASSEMBLY (FOR REFERENCE ONLY) PADS NO. TBA



VIEW ON REAR OF SIGNAL WITH  
BACK COVER REMOVED

DORMAN SIGNAL MOUNTS DIRECTLY  
TO INDICATOR SUPPORT FRAME  
(AN ADJUSTABLE MOUNTING PLATE  
IS NOT REQUIRED)



- NOTES:-
- ALL ALUMINIUM COMPONENTS PAINTED ALL OVER WITH:  
ONE COAT OF TRANSPARENT TWO PACK ETCH PRIMER 101  
FOLLOWED BY :  
ONE COAT OF BLACK MICACEOUS IRON OXIDE.  
BR SPEC No. 70 ITEM 30. (FORWARD FACING PARTS)  
ONE COAT OF LIGHT GREY MICACEOUS IRON OXIDE.  
BR SPEC No. 70 ITEM 27A. (REAR FACING PARTS)
  - WIRING DIAGRAM AND A DOCUMENT WALLET ATTACHED TO INTERNAL  
FACE OF THE BACK COVER.
  - HORIZONTAL ADJUSTMENT ~ ±6'; VERTICAL ADJUSTMENT ~ ±4'
  - ALL FASTENERS ~ STAINLESS STEEL.
  - RKB221 BRASS PADLOCK, PADS No.0086/029003 IS NOT SUPPLIED  
WITH THIS ASSEMBLY.

TOTAL ASSEMBLED SIGNAL MASS - 26Kg.  
MAXIMUM MASS OF MODULE - 10Kg.

ISS	DATE	INI	ALTERATIONS
1	02/06/05	MD	SEE DCC No. 2805
0	06/12/04	MD	DCC No. 2621



<p>LONG RANGE LED COLOUR LIGHT</p> <p>TITLE: SIGNAL ENVELOPE/MECHANICAL INTERFACE DRAWING 3 ASPECT GROUND MOUNTED CLS</p>		<p>THIRD ANGLE PROJ</p> <p>Document N° a101-1248-1</p>	<p>DORMAN TRAFFIC PRODUCTS LTD SOUTHPORT PR9 8LA ENGLAND</p>
<p>MATERIAL</p>	<p>TOLERANCES</p> <p>X + / - 0,25</p> <p>X,0 + / - 0,10</p> <p>X,00 + / - 0,05</p> <p>X,000 + / - 0,025</p> <p>ANGULAR + / - 0,25°</p>	<p>DRAWN M.DURHAM</p> <p>APPROVED L.GREEN</p> <p>DATE 30/11/2004</p> <p>SCALE NTS</p> <p>SHEET 1 OF 1 SHEETS</p>	<p>THIS DOCUMENT AND THE INFORMATION THEREIN IS CONFIDENTIAL AND MAY NOT BE USED OR DISCLOSED WITHOUT WRITTEN AUTHORIZATION</p> <p>DRAWING No PART No.</p> <p>0086/009154</p> <p>ISSUE</p> <p>1</p>

ALL DIMENSIONS IN mm UNLESS OTHERWISE STATED

DORMAN REF. No.	CUSTOMER REF No.
CLGH/3RYG/1P/BH	