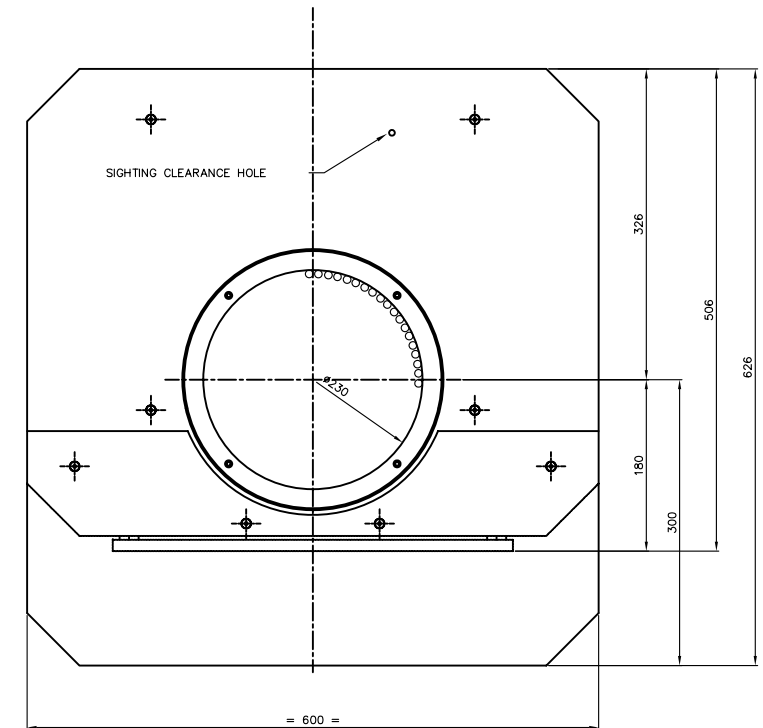
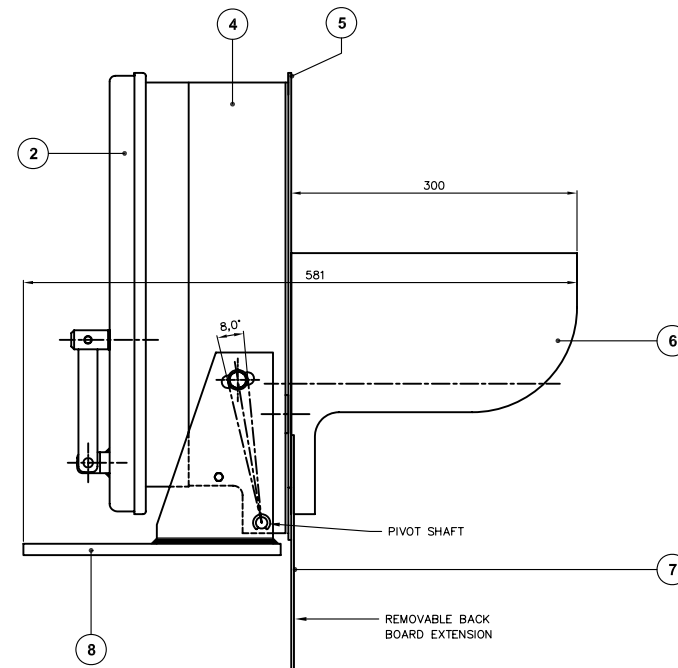
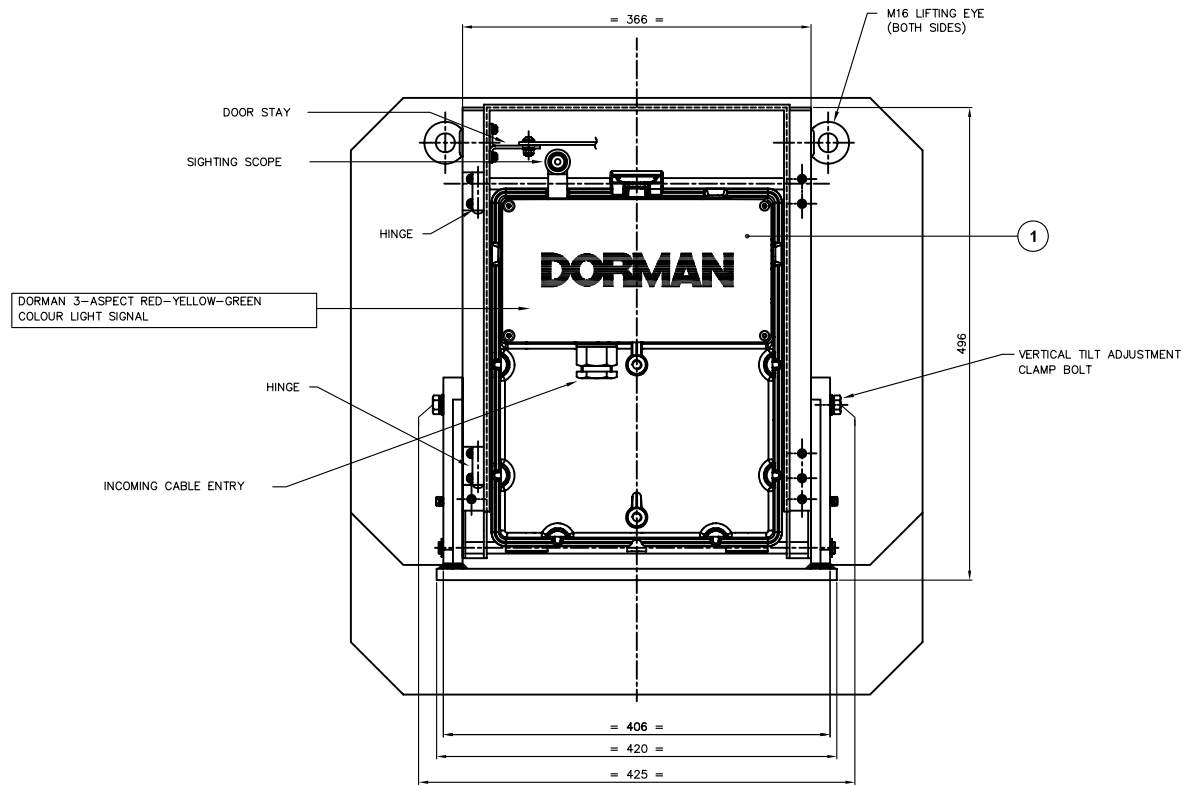
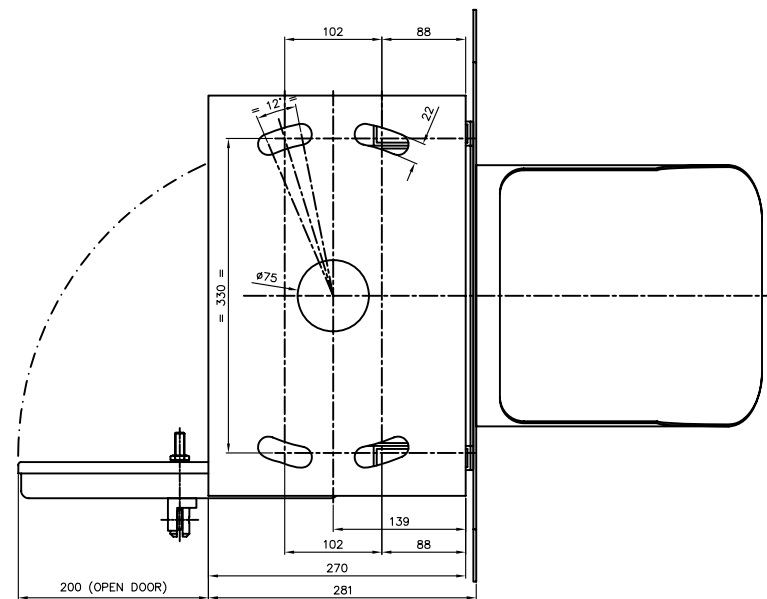


ITEM	QTY	PART N°	MATERIAL	DESCRIPTION
1	1	0086/009203	CAST ALUMINIUM ENCLOSURE	DORMAN 3-ASPECT RED-YELLOW-GREEN COLOUR LIGHT SIGNAL. REF. No. CLSM/3RYG/1P/RU
2	1	B20.19154	ALUMINIUM	DOOR
3				
4	1	B20.19155	ALUMINIUM FABRICATION	1-LENS, 3-ASPECT FRAME
5	1	B20.19156	ALUMINIUM	BACK BOARD 1-APERTURE, 3-ASPECT FRAME
6	1	B20.19104	ALUMINIUM	VISOR
7	1	B20.19123	ALUMINIUM	BACK BOARD EXTENSION
8	1	B20.19124	ALUMINIUM FABRICATION	MOUNTING PLATE
	1	0086/009222		FRAME ASSEMBLY (FOR REFERENCE ONLY) DORMAN REF. NO. D86.85010



VIEW ON REAR OF SIGNAL WITH
BACK COVER REMOVED

DORMAN SIGNAL MOUNTS DIRECTLY
TO INDICATOR SUPPORT FRAME
(AN ADJUSTABLE MOUNTING PLATE
IS NOT REQUIRED)



NOTES:-

- ALL ALUMINIUM COMPONENTS PAINTED ALL OVER WITH:
ONE COAT OF TRANSPARENT TWO PACK ETCH PRIMER 101
FOLLOWED BY:
ONE COAT OF BLACK MICACEOUS IRON OXIDE.
BR SPEC No. 70 ITEM 30. (FORWARD FACING PARTS)
ONE COAT OF LIGHT GREY MICACEOUS IRON OXIDE.
BR SPEC No. 70 ITEM 27A. (REAR FACING PARTS)
- WIRING DIAGRAM AND A DOCUMENT WALLET ATTACHED TO INTERNAL
FACE OF THE BACK COVER.
- HORIZONTAL ADJUSTMENT ~ ±6'; VERTICAL ADJUSTMENT ~ ±4'
- ALL FASTENERS ~ STAINLESS STEEL.
- RKB221 BRASS PADLOCK, PADS No.0086/029003 IS NOT SUPPLIED
WITH THIS ASSEMBLY.

TOTAL ASSEMBLED SIGNAL MASS - 26Kg.
MAXIMUM MASS OF MODULE - 10Kg.

ISS	DATE	INI	ALTERATIONS
1	03/01/06	DR	SEE DCC2998
0	11/01/05	MD	DCC No. 2651

DORMAN

DORMAN TRAFFIC PRODUCTS LTD
SOUTHPORT PR9 6LA ENGLAND

THIS DOCUMENT AND THE INFORMATION THEREIN
IS CONFIDENTIAL AND MAY NOT BE USED OR
DISCLOSED WITHOUT WRITTEN AUTHORIZATION

DRAWING No	PART No.	ISSUE
0086/009156		1

LONG RANGE LED COLOUR LIGHT

TITLE	THIRD ANGLE PROJ
ENCLOSURE/MECHANICAL INTERFACE DRAWING 3 ASP, 1 APER (SHORT) CLS - RU	Document N° 0101-1400-1
MATERIAL	TOLERANCES
	X + / - 0,25
	X,0 + / - 0,10
	X,00 + / - 0,05
	X,000 + / - 0,025
	ANGULAR + / - 0,25°
	DRAWN M.DURHAM
	APPROVED L.GREEN
	DATE 11/01/2005
	SCALE NTS
	SHEET 1 OF 1 SHEETS

ALL DIMENSIONS IN mm UNLESS OTHERWISE STATED

DORMAN REF. No.
CLSH/SRYG/1P/RU

CUSTOMER REF No.

DO NOT SCALE