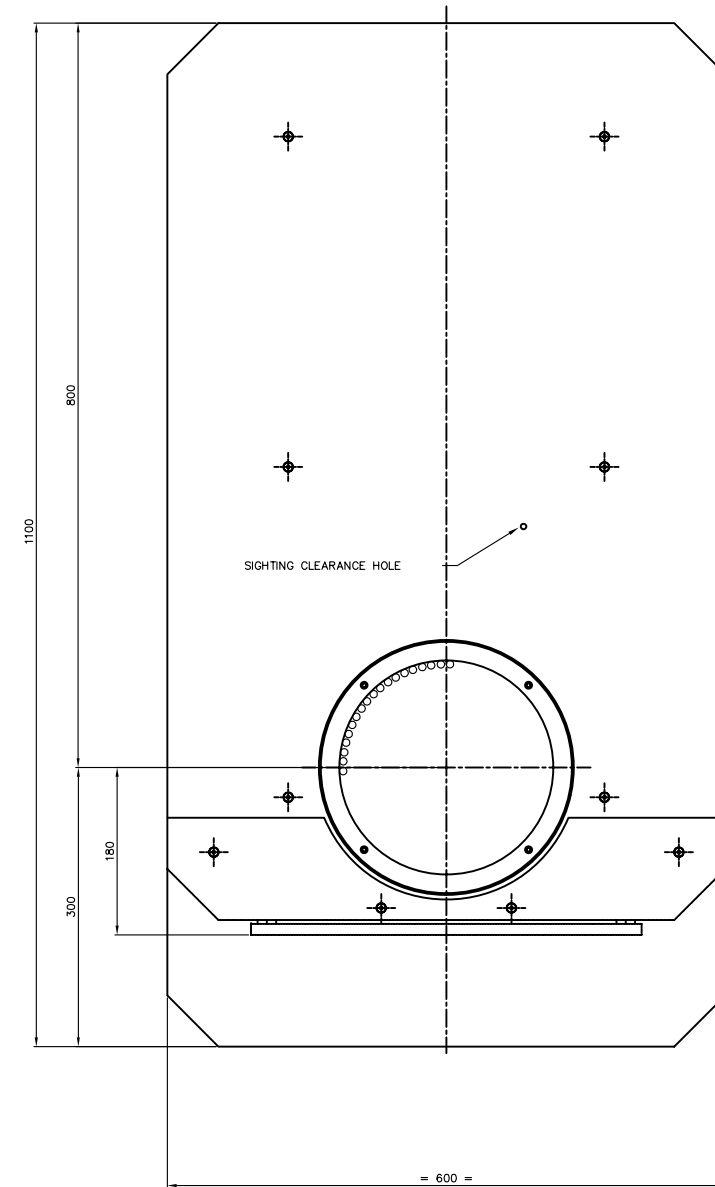
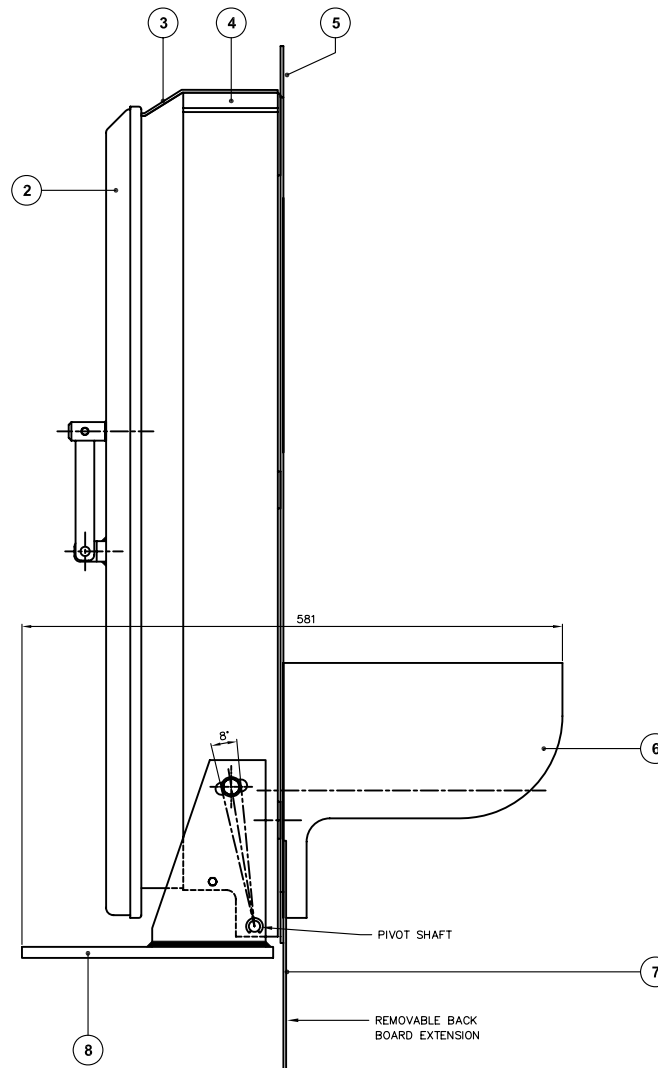
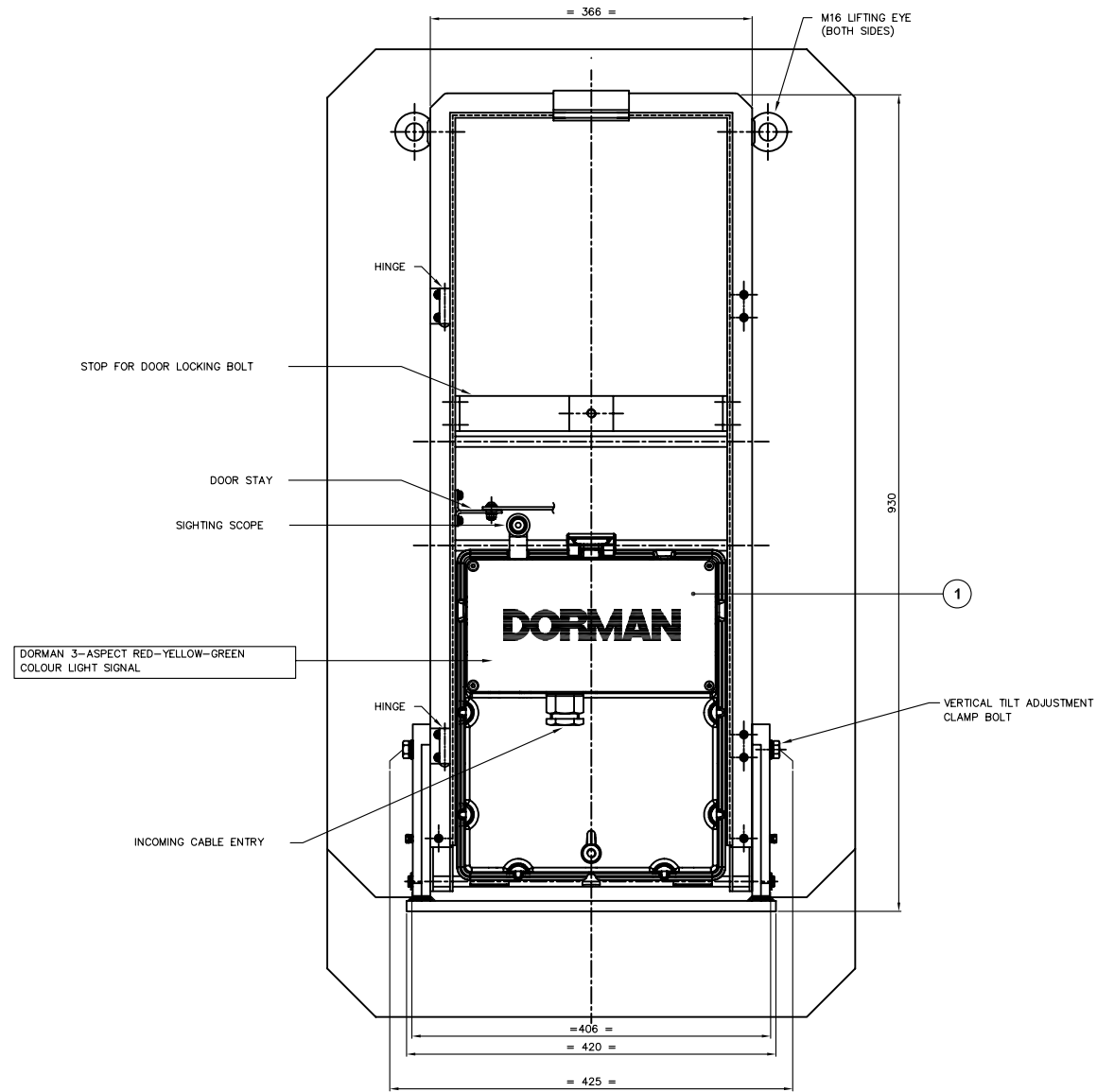
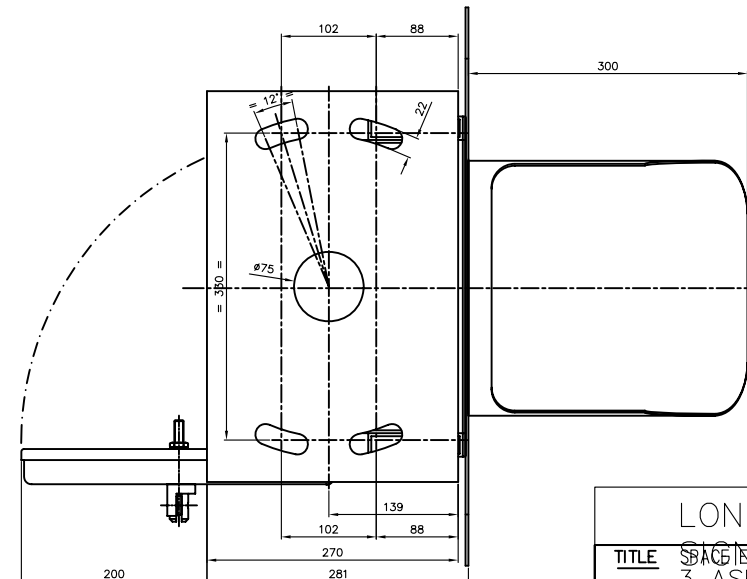


ITEM	QTY	PART N°	MATERIAL	DESCRIPTION
1	1	0086/009200	CAST ALUMINIUM ENCLOSURE	DORMAN 3-ASPECT RED-YELLOW-GREEN COLOUR LIGHT SIGNAL. REF. NO. CLSM/3RYG/1P/LU
2	1	B20.19109	ALUMINIUM	DOOR
3	1	B20.19161	ALUMINIUM SHEET	3 ASP BLANKING PLATE
4	1	B20.19102	ALUMINIUM FABRICATION	2-LENS, 4-ASPECT FRAME
5	1	B86.85007	ALUMINIUM	BACK BOARD 1-APERTURE, 4-ASPECT FRAME
6	1	B20.19104	ALUMINIUM	VISOR
7	1	B20.19123	ALUMINIUM	BACK BOARD EXTENSION
8	1	B20.19124	ALUMINIUM FABRICATION	MOUNTING PLATE
1		0086/009221		FRAME ASSEMBLY (FOR REFERENCE ONLY) DORMAN REF.NO. D86.85003



VIEW ON REAR OF SIGNAL WITH  
BACK COVER REMOVED

DORMAN SIGNAL MOUNTS DIRECTLY  
TO INDICATOR SUPPORT FRAME  
(AN ADJUSTABLE MOUNTING PLATE  
IS NOT REQUIRED)



ALL DIMENSIONS IN mm UNLESS OTHERWISE STATED

TOTAL ASSEMBLED SIGNAL MASS ~ 33Kg.  
MAXIMUM MASS OF MODULES - 10Kg.

NOTES:-

- ALL ALUMINIUM COMPONENTS PAINTED ALL OVER WITH:  
ONE COAT OF TRANSPED TWO PACK ETCH PRIMER 101  
FOLLOWED BY:  
ONE COAT OF BLACK MICACEOUS IRON OXIDE.  
BR SPEC No. 70 ITEM 30. (FORWARD FACING PARTS)  
ONE COAT OF LIGHT GREY MICACEOUS IRON OXIDE.  
BR SPEC No. 70 ITEM 27A. (REAR FACING PARTS)
- WIRING DIAGRAM AND A DOCUMENT WALLET ATTACHED TO INTERNAL  
FACE OF THE BACK COVER.
- HORIZONTAL ADJUSTMENT ~ ±6', VERTICAL ADJUSTMENT ~ ±4'
- ALL FASTENERS ~ STAINLESS STEEL.
- RKB221 BRASS PADLOCK, PADS No.0086/029003 IS NOT SUPPLIED  
WITH THIS ASSEMBLY.

LONG RANGE LED COLOUR LIGHT

TITLE: SIGNAL ENVELOPE/MECHANICAL INTERFACE DRAWING  
3 ASP, 1 APER (LONG) CLS -LU

THIRD ANGLE PROJ

Document N° a101-1447-1

MATERIAL

TOLERANCES

X	+ / -	0,25
X,0	+ / -	0,10
X,00	+ / -	0,05
X,000	+ / -	0,025
ANGULAR	+ / -	0,25°

DRAWN M.DURHAM

APPROVED L.GREEN

DATE 17/01/2005

SCALE NTS

SHEET 1 OF 1 SHEETS

1	13/12/05	DR	SEE DCC2997
0	11/01/05	MD	DCC No. 2650
ISS	DATE	INI	ALTERATIONS

**DORMAN**

DORMAN TRAFFIC PRODUCTS LTD  
SOUTHPORT PR9 8LA ENGLAND

THIS DOCUMENT AND THE INFORMATION THEREIN  
IS CONFIDENTIAL AND MAY NOT BE USED OR  
DISCLOSED WITHOUT WRITTEN AUTHORIZATION

DRAWING No PART No.

0086/009152

ISSUE

1

DO NOT SCALE

ORIGINAL DRAWING FRAME A1 DO NOT SCALE

DORMAN REF. No.  
CLSH/3RYG/1P/LU

CUSTOMER REF No.