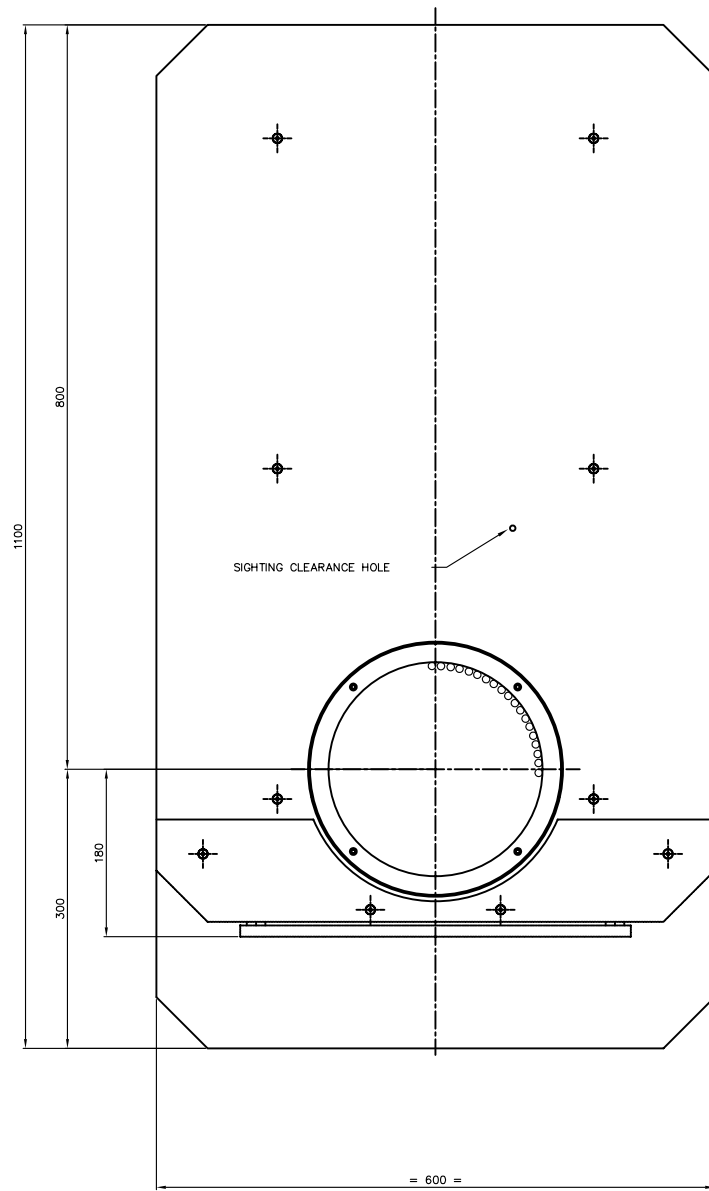
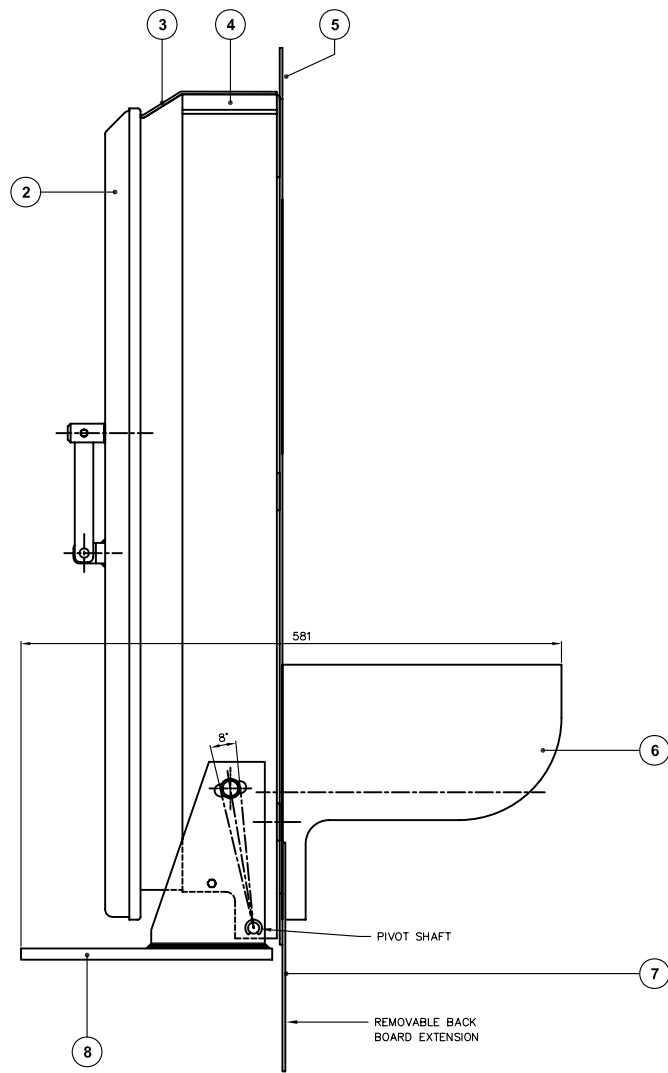
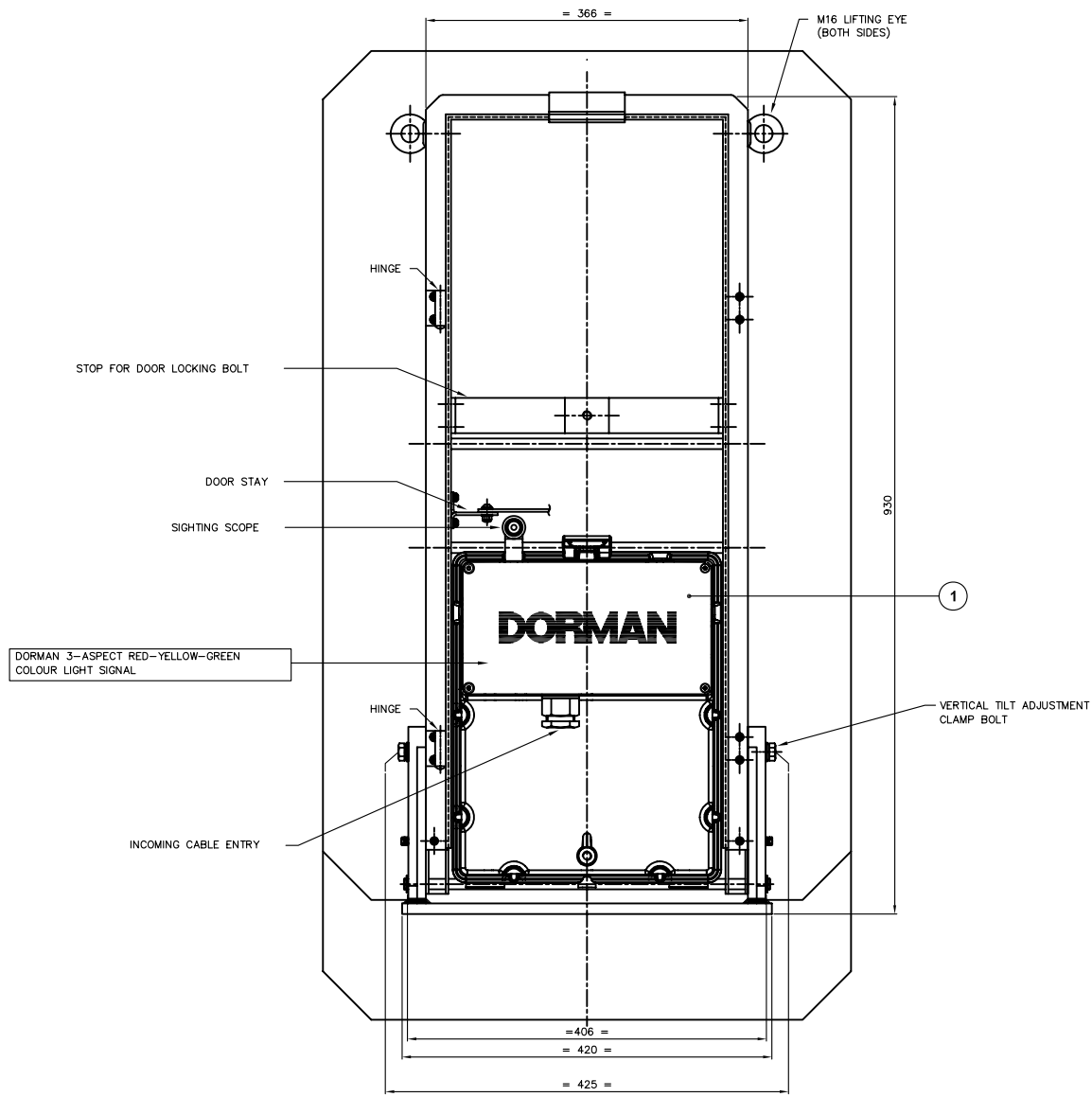


ITEM	QTY	PART N°	MATERIAL	DESCRIPTION
1	1	0086/009203	CAST ALUMINIUM ENCLOSURE	DORMAN 3-ASPECT RED-YELLOW-GREEN COLOUR LIGHT SIGNAL. REF. NO. CLSM/3RYG/1P/RU
2	1	B20.19109	ALUMINIUM	DOOR
3	1	B20.19161	ALUMINIUM SHEET	3 ASP BLANKING PLATE
4	1	B20.19102	ALUMINIUM FABRICATION	2-LENS, 4-ASPECT FRAME
5	1	B86.85007	ALUMINIUM	BACK BOARD 1-APERTURE, 4-ASPECT FRAME
6	1	B20.19104	ALUMINIUM	VISOR
7	1	B20.19123	ALUMINIUM	BACK BOARD EXTENSION
8	1	B20.19124	ALUMINIUM FABRICATION	MOUNTING PLATE
1		0086/009221		FRAME ASSEMBLY (FOR REFERENCE ONLY) DORMAN REF.NO. D86.85003



VIEW ON REAR OF SIGNAL WITH BACK COVER REMOVED

DORMAN SIGNAL MOUNTS DIRECTLY TO INDICATOR SUPPORT FRAME (AN ADJUSTABLE MOUNTING PLATE IS NOT REQUIRED)

TOTAL ASSEMBLED SIGNAL MASS ~ 33Kg.  
MAXIMUM MASS OF MODULES - 10Kg.

- NOTES:-
- ALL ALUMINIUM COMPONENTS PAINTED ALL OVER WITH: ONE COAT OF TRANSPRED TWO PACK ETCH PRIMER 101 FOLLOWED BY: ONE COAT OF BLACK MICACEOUS IRON OXIDE. BR SPEC No. 70 ITEM 30. (FORWARD FACING PARTS) ONE COAT OF LIGHT GREY MICACEOUS IRON OXIDE. BR SPEC No. 70 ITEM 27A. (REAR FACING PARTS)
  - WIRING DIAGRAM AND A DOCUMENT WALLET ATTACHED TO INTERNAL FACE OF THE BACK COVER.
  - HORIZONTAL ADJUSTMENT ~ ±6'; VERTICAL ADJUSTMENT ~ ±4'
  - ALL FASTENERS ~ STAINLESS STEEL.
  - RKB221 BRASS PADLOCK, PADS No.0086/029003 IS NOT SUPPLIED WITH THIS ASSEMBLY.

1	03/01/06	DR	SEE DCC2998
0	11/01/05	MD	DCC No. 2651
ISS	DATE	INI	ALTERATIONS

**DORMAN**

DORMAN TRAFFIC PRODUCTS LTD  
SOUTHPORT PR9 BLA ENGLAND

THIS DOCUMENT AND THE INFORMATION THEREIN IS CONFIDENTIAL AND MAY NOT BE USED OR DISCLOSED WITHOUT WRITTEN AUTHORIZATION	
DRAWING No	PART No.
0086/009153	1

TITLE: SPACE ENVELOPE/MECHANICAL INTERFACE DRAWING 3 ASP, 1 APER (LONG) CLS - RU		THIRD ANGLE PROJ Document N° a101-1409-1
MATERIAL	TOLERANCES	DRAWN M.DURHAM APPROVED L.GREEN
	X + / - 0,25 X,0 + / - 0,10 X,00 + / - 0,05 X,000 + / - 0,025 ANGULAR + / - 0,25°	DATE 13/01/2005 SCALE NTS SHEET 1 OF 1 SHEETS

DORMAN REF. No. CLSH/3RYG/1P/RU	CUSTOMER REF No.
------------------------------------	------------------

ALL DIMENSIONS IN mm UNLESS OTHERWISE STATED