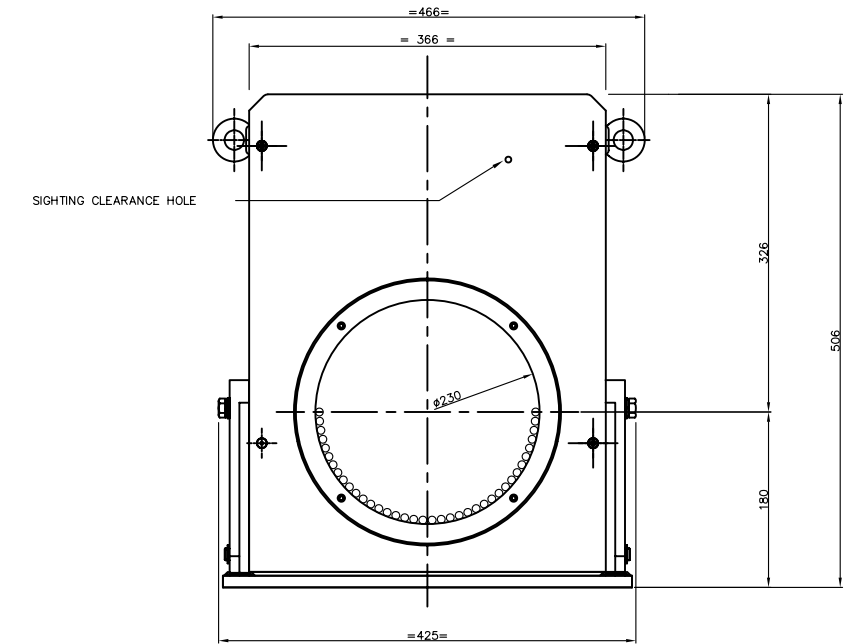
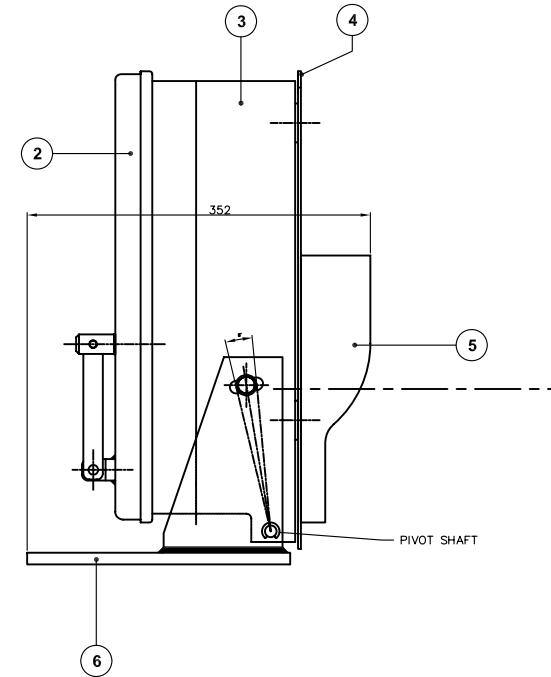
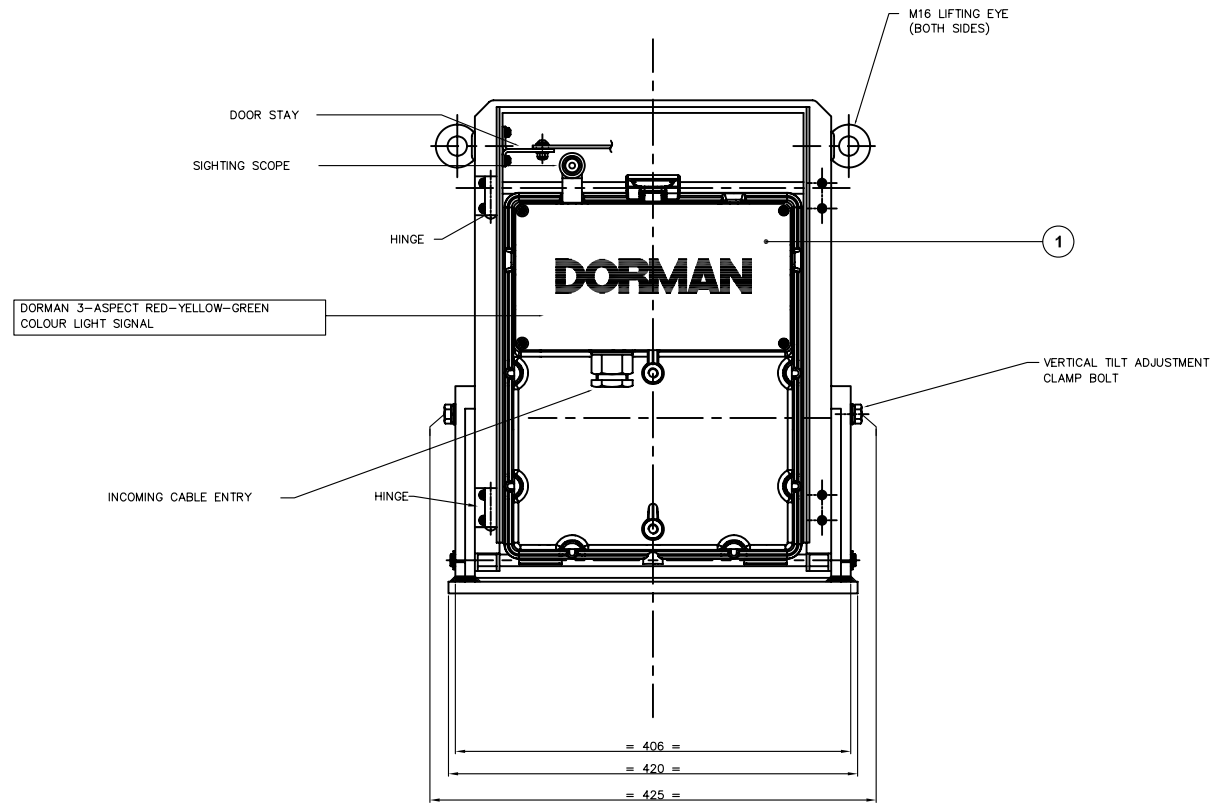
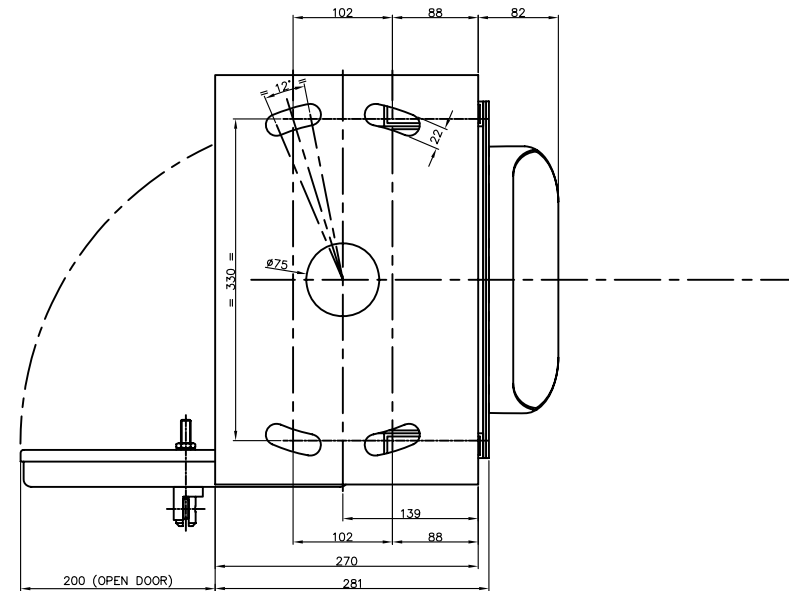


ITEM	QTY	PART N°	MATERIAL	DESCRIPTION
1	1	CLTM/3RYG/1P/BH	CAST ALUMINIUM ENCLOSURE	DORMAN 3-ASPECT RED-YELLOW-GREEN COLOUR LIGHT SIGNAL. PADS No. TBA
2	1	B20.19154	ALUMINIUM	DOOR
3	1	B20.19155	ALUMINIUM FABRICATION	1-LENS, 3-ASPECT FRAME
4	1	B20.19177	ALUMINIUM	NARROW BACK BOARD 1-APERTURE
5	1	B86.85019	ALUMINIUM	SHORT VISOR
6	1	B20.19124	ALUMINIUM FABRICATION	MOUNTING PLATE
1		D86.85054		FRAME ASSEMBLY (FOR REFERENCE ONLY) PADS NO. TBA



VIEW ON REAR OF SIGNAL WITH
BACK COVER REMOVED

DORMAN SIGNAL MOUNTS DIRECTLY
TO INDICATOR SUPPORT FRAME
(AN ADJUSTABLE MOUNTING PLATE
IS NOT REQUIRED)



FOR TUNNEL USE ONLY!

- NOTES:-
- ALL ALUMINIUM COMPONENTS PAINTED ALL OVER WITH:
ONE COAT OF TRANSPARENT TWO PACK ETCH PRIMER 101
FOLLOWED BY:
ONE COAT OF BLACK MICACEOUS IRON OXIDE.
BR SPEC No. 70 ITEM 30. (FORWARD FACING PARTS)
ONE COAT OF LIGHT GREY MICACEOUS IRON OXIDE.
BR SPEC No. 70 ITEM 27A. (REAR FACING PARTS)
 - WIRING DIAGRAM AND A DOCUMENT WALLET ATTACHED TO INTERNAL
FACE OF THE BACK COVER.
 - HORIZONTAL ADJUSTMENT ~ ±6°; VERTICAL ADJUSTMENT ~ ±4°
 - ALL FASTENERS ~ STAINLESS STEEL.
 - RKB221 BRASS PADLOCK, PADS No.0086/029003 IS NOT SUPPLIED
WITH THIS ASSEMBLY.

TOTAL ASSEMBLED SIGNAL MASS - 26Kg.
MAXIMUM MASS OF MODULE - 10Kg.

ISS	DATE	INI	ALTERATIONS
1	02/06/05	MD	SEE DCC No. 2805
0	06/12/04	MD	DCC No. 2623

DORMAN

DORMAN TRAFFIC PRODUCTS LTD
SOUTHPORT PR9 8LA ENGLAND

<p>LONG RANGE LED COLOUR LIGHT</p> <p>TITLE SPACE ENVELOPE/MECHANICAL INTERFACE DRAWING 3 ASPECT TUNNEL MOUNTED CLS</p>		<p>THIRD ANGLE PROJ</p> <p>Document N° 0101-1252-1</p>	<p>DRAWN M.DURHAM</p> <p>APPROVED L.GREEN</p> <p>DATE 30/11/2004</p> <p>SCALE NTS</p> <p>SHEET 1 OF 1 SHEETS</p>	<p>THIS DOCUMENT AND THE INFORMATION THEREIN IS CONFIDENTIAL AND MAY NOT BE USED OR DISCLOSED WITHOUT WRITTEN AUTHORIZATION</p> <p>DRAWING No PART No.</p> <p>0086/009165</p> <p>ISSUE</p> <p>1</p>
---	--	--	--	---

ALL DIMENSIONS IN mm UNLESS OTHERWISE STATED

DORMAN REF. No.
CLTH/3RYG/1P/BH

CUSTOMER REF No.

DO NOT SCALE