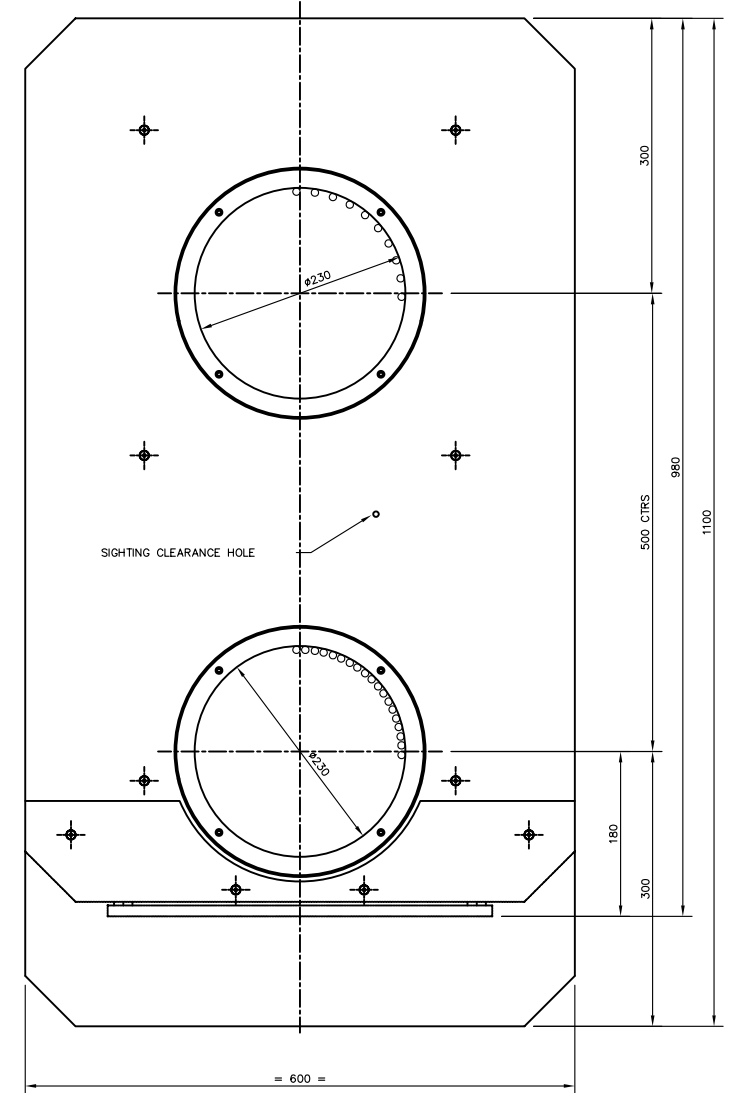
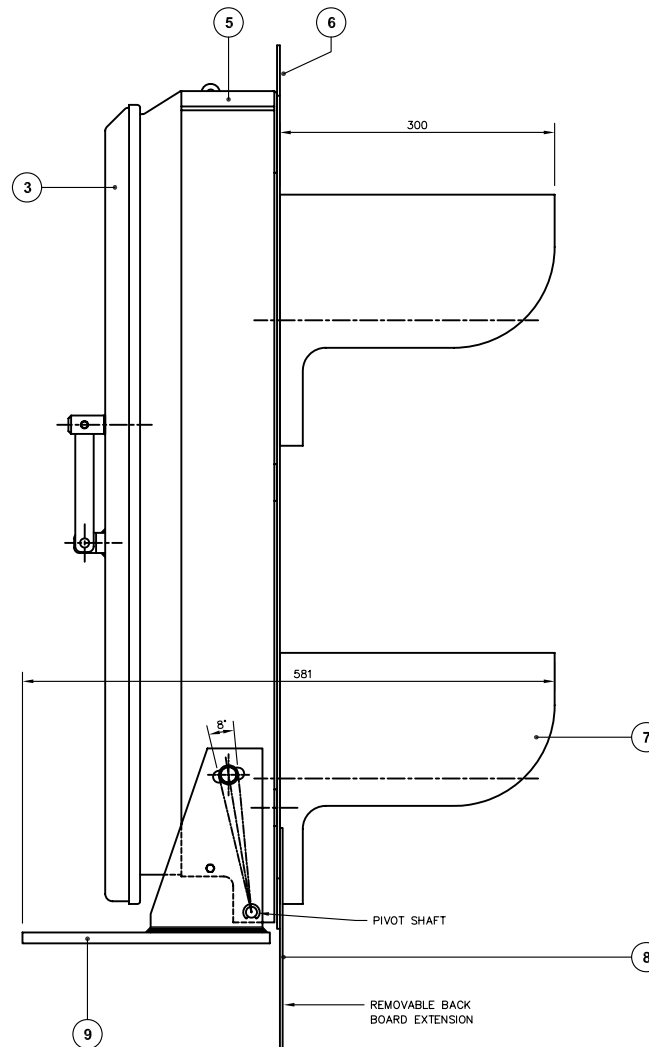
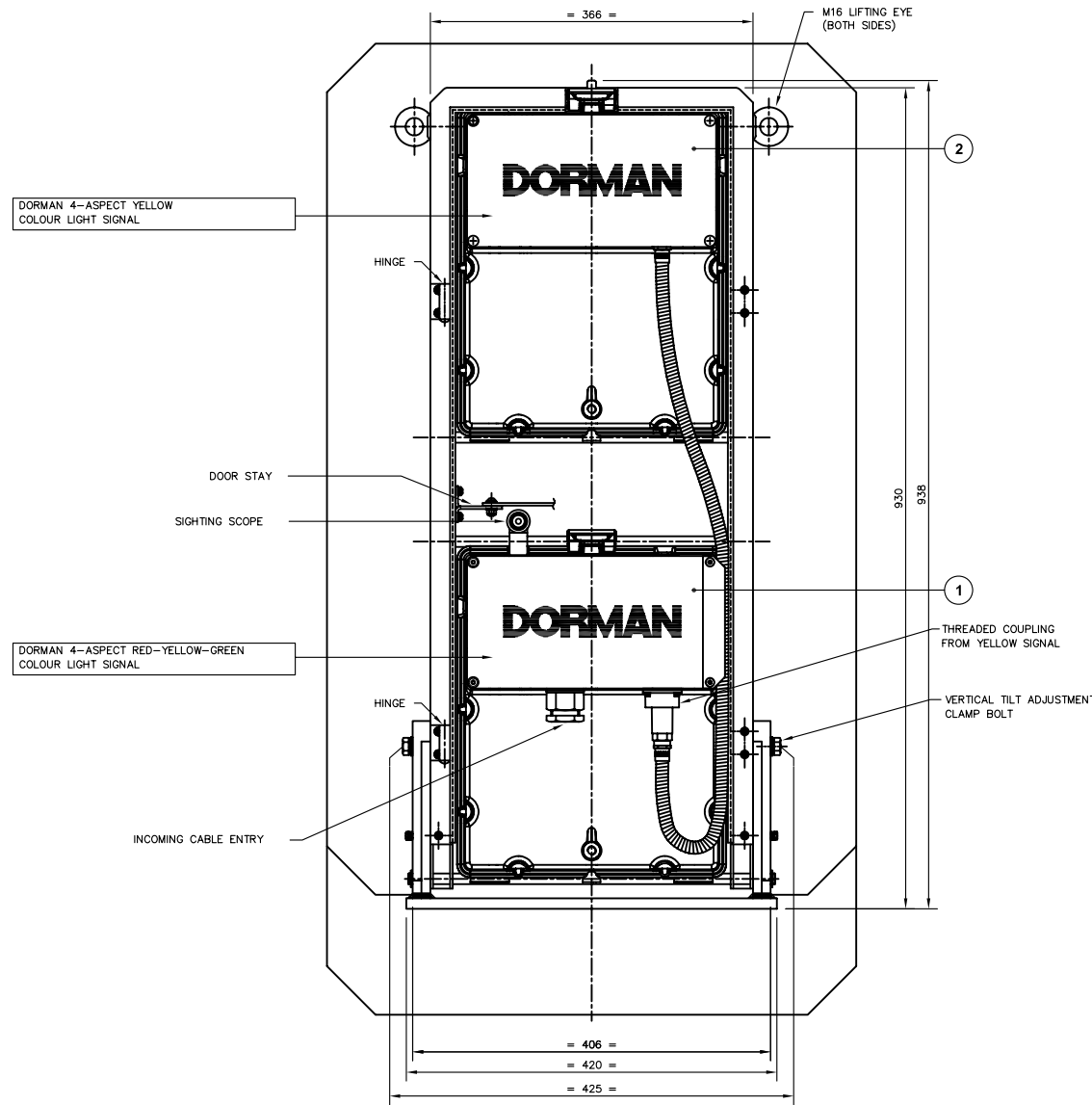
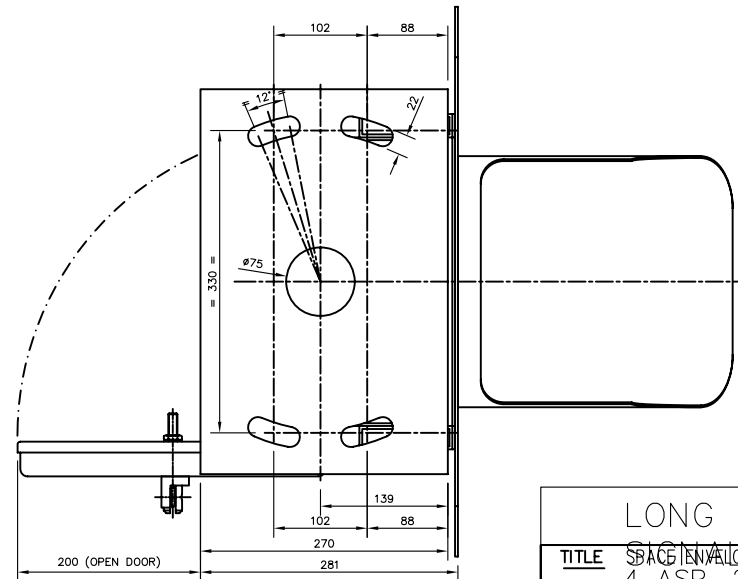


ITEM	QTY	PART N°	MATERIAL	DESCRIPTION
1	1	0086/009204	CAST ALUMINIUM ENCLOSURE	DORMAN 4-ASPECT RED-YELLOW-GREEN COLOUR LIGHT SIGNAL. REF. NO. CLSM/4RYG/1P/RU
2	1	0086/009205	CAST ALUMINIUM ENCLOSURE	DORMAN 4-ASPECT YELLOW COLOUR LIGHT SIGNAL. REF. NO. CLSM/4Y---/1P/RU
3	1	B20.19109	ALUMINIUM	DOOR
4				
5	1	B20.19102	ALUMINIUM FABRICATION	2-LENS, 4-ASPECT FRAME
6	1	B20.19108	ALUMINIUM	BACK BOARD
7	2	B20.19104	ALUMINIUM	VISOR
8	1	B20.19123	ALUMINIUM	BACK BOARD EXTENSION
9	1	B20.19124	ALUMINIUM FABRICATION	MOUNTING PLATE
1		0086/009220		FRAME ASSEMBLY (FOR REFERENCE ONLY) DORMAN REF. NO. D86.85004



VIEW ON REAR OF SIGNAL WITH BACK COVER REMOVED

DORMAN SIGNAL MOUNTS DIRECTLY TO INDICATOR SUPPORT FRAME (AN ADJUSTABLE MOUNTING PLATE IS NOT REQUIRED)



ALL DIMENSIONS IN mm UNLESS OTHERWISE STATED

- NOTES:-
- ALL ALUMINIUM COMPONENTS PAINTED ALL OVER WITH: ONE COAT OF TRANSPARENT TWO PACK ETCH PRIMER 101 FOLLOWED BY: ONE COAT OF BLACK MICACEOUS IRON OXIDE. BR SPEC No. 70 ITEM 30. (FORWARD FACING PARTS) ONE COAT OF LIGHT GREY MICACEOUS IRON OXIDE. BR SPEC No. 70 ITEM 27A. (REAR FACING PARTS)
 - WIRING DIAGRAM AND A DOCUMENT WALLET ATTACHED TO INTERNAL FACE OF THE BACK COVER.
 - HORIZONTAL ADJUSTMENT ~ ±6'; VERTICAL ADJUSTMENT ~ ±4'
 - ALL FASTENERS ~ STAINLESS STEEL.
 - RKB221 BRASS PADLOCK, PADS No.0086/029003 IS NOT SUPPLIED WITH THIS ASSEMBLY.

TOTAL ASSEMBLED SIGNAL MASS ~ 43Kg.
MAXIMUM MASS OF MODULES - 10Kg.

LONG RANGE LED COLOUR LIGHT

TITLE SPACE ENVELOPE/MECHANICAL INTERFACE DRAWING
4 ASP, 2 APER CLS - RU

THIRD ANGLE PROJ

Document N° 0101-1410-1

MATERIAL	TOLERANCES
X	+ / - 0,25
X,0	+ / - 0,10
X,00	+ / - 0,05
X,000	+ / - 0,025
ANGULAR	+ / - 0,25°

DRAWN	M.DURHAM
APPROVED	L.GREEN
DATE	13/01/2005
SCALE	NTS
SHEET	1 OF 1 SHEETS

1	03/01/06	DR	SEE DCC2998
0	11/01/05	MD	DCC No. 2651
ISS	DATE	INI	ALTERATIONS
DORMAN			
DORMAN TRAFFIC PRODUCTS LTD SOUTHPORT PR9 8LA ENGLAND			
THIS DOCUMENT AND THE INFORMATION THEREIN IS CONFIDENTIAL AND MAY NOT BE USED OR DISCLOSED WITHOUT WRITTEN AUTHORIZATION			
DRAWING No PART No.			ISSUE
0086/009159			1

DO NOT SCALE

DORMAN REF. No.
CLSH/RYGY/1P/RU

CUSTOMER REF No.