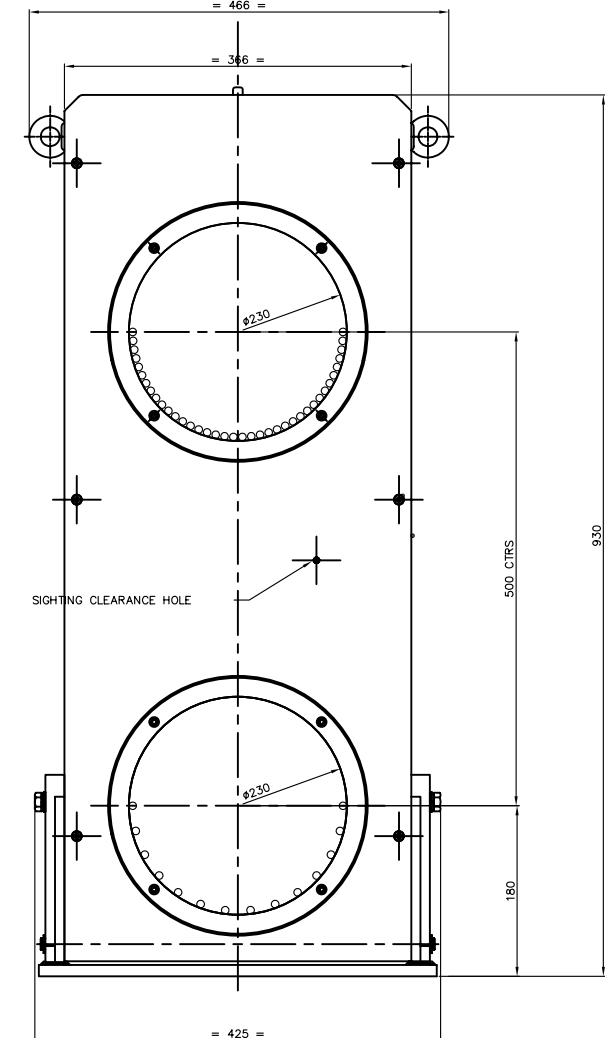
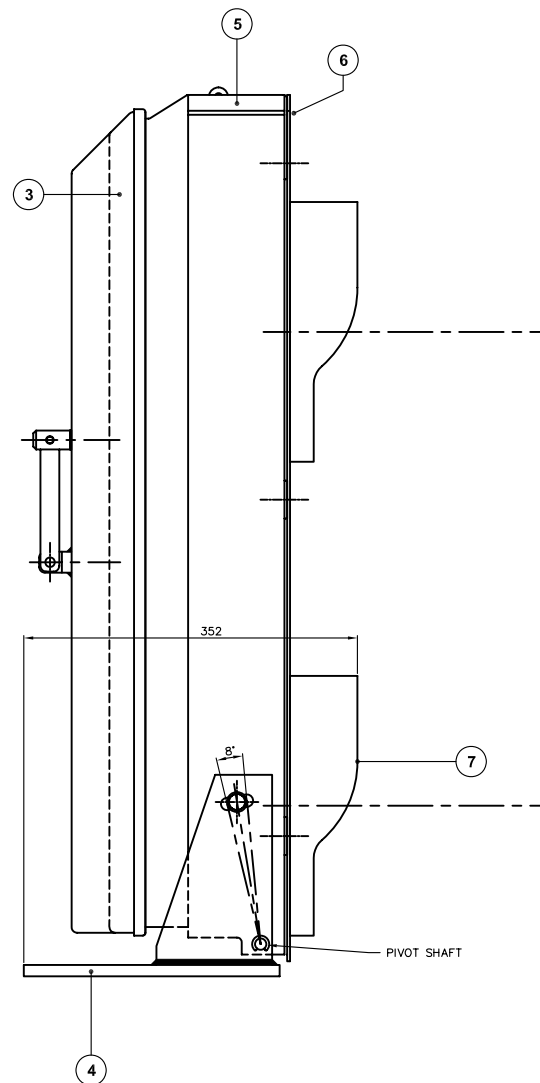
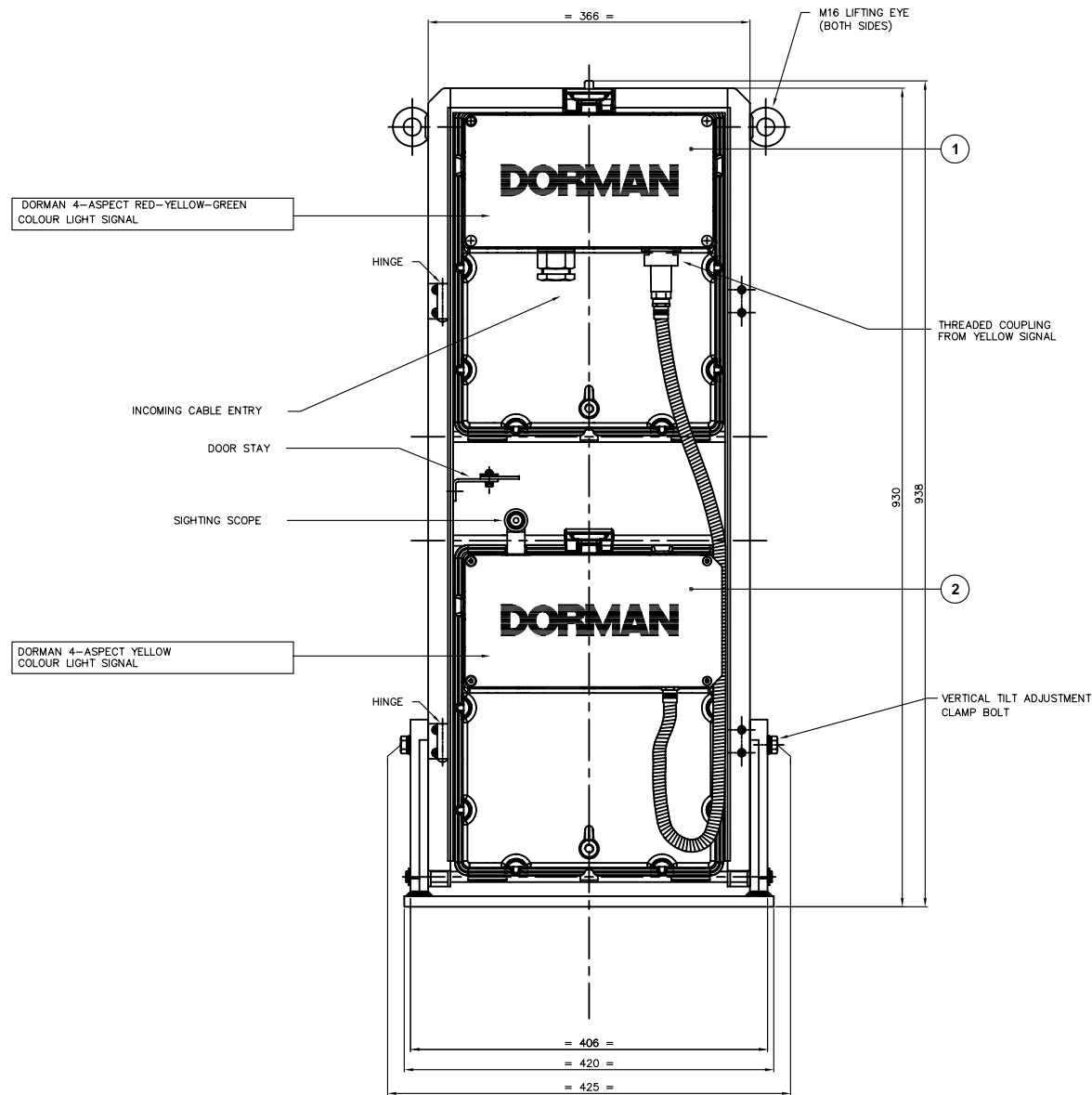
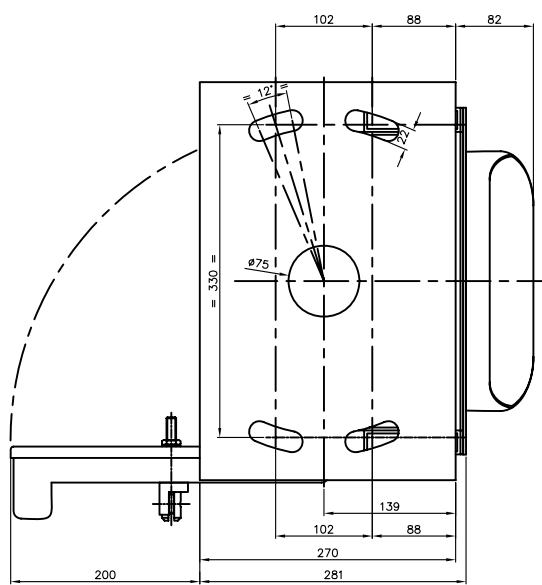


ITEM	QTY	PART N°	MATERIAL	DESCRIPTION
1	1	CLTM/4RYG/1P/BH	CAST ALUMINIUM ENCLOSURE	DORMAN 4-ASPECT RED-YELLOW-GREEN CLS (NO SCOPE). PADS NO. 0086/009207
2	1	CLTM/4Y--/1P/BH	CAST ALUMINIUM ENCLOSURE	DORMAN 4-ASPECT YELLOW COLOUR LIGHT SIGNAL. PADS NO. 0086/009208
3	1	B20.19160	ALUMINIUM	DOOR
4	1	B20.19124	ALUMINIUM FABRICATION	MOUNTING PLATE
5	1	B20.19102	ALUMINIUM FABRICATION	2-LENS, 4-ASPECT FRAME
6	1	B86.85020	ALUMINIUM	NARROW BACK BOARD
7	2	B86.85019	ALUMINIUM	SHORT VISOR
1	1	0086/009223		FRAME ASSEMBLY (FOR REFERENCE ONLY) DORMAN REF. NO. D86.85018



VIEW ON REAR OF SIGNAL WITH BACK COVER REMOVED

DORMAN SIGNAL MOUNTS DIRECTLY TO INDICATOR SUPPORT FRAME (AN ADJUSTABLE MOUNTING PLATE IS NOT REQUIRED)



ALL DIMENSIONS IN mm UNLESS OTHERWISE STATED

FOR TUNNEL USE ONLY!

NOTES:-

- ALL ALUMINIUM COMPONENTS PAINTED ALL OVER WITH: ONE COAT OF TRANSPED TWO PACK ETCH PRIMER 101 FOLLOWED BY: ONE COAT OF BLACK MICAEOUS IRON OXIDE. BR SPEC No. 70 ITEM 30. (FORWARD FACING PARTS) ONE COAT OF LIGHT GREY MICAEOUS IRON OXIDE. BR SPEC No. 70 ITEM 27A. (REAR FACING PARTS)
- WIRING DIAGRAM AND A DOCUMENT WALLET ATTACHED TO INTERNAL FACE OF THE BACK COVER.
- HORIZONTAL ADJUSTMENT ~ ±6', VERTICAL ADJUSTMENT ~ ±4'
- ALL FASTENERS ~ STAINLESS STEEL.
- RKB221 BRASS PADLOCK, PADS No.0086/029003 IS NOT SUPPLIED WITH THIS ASSEMBLY.

TOTAL ASSEMBLED SIGNAL MASS ~ 43Kg.
MAXIMUM MASS OF MODULES - 10Kg.

LONG RANGE LED COLOUR LIGHT

TITLE SIGNAL ENVELOPE/MECHANICAL INTERFACE DRAWING
4 ASPECT TUNNEL MOUNTED CLS

THIRD ANGLE PROJ
Document N° 0101-1249-1

DORMAN TRAFFIC PRODUCTS LTD
SOUTHPORT PR9 8LA ENGLAND

MATERIAL

TOLERANCES	
X	+ / - 0.25
X,0	+ / - 0.10
X,00	+ / - 0.05
X,000	+ / - 0.025
ANGULAR	+ / - 0.25°

DRAWN M.DURHAM
APPROVED L.GREEN
DATE 30/11/2004
SCALE NTS
SHEET 1 OF 1 SHEETS

DRAWING No PART No.
0086/009167
ISSUE
1

DO NOT SCALE

DORMAN REF. No.
CLTH/RYGY/1P/BH

CUSTOMER REF No.