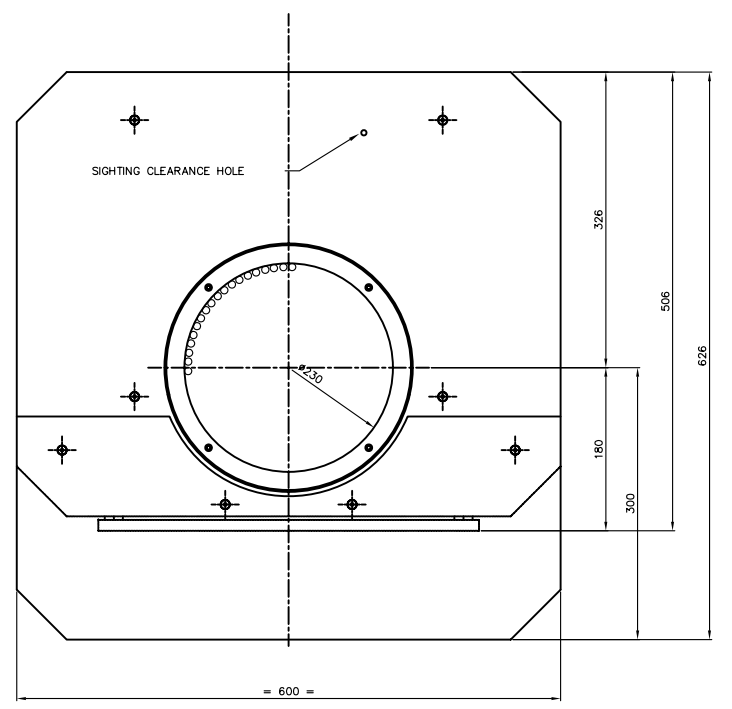
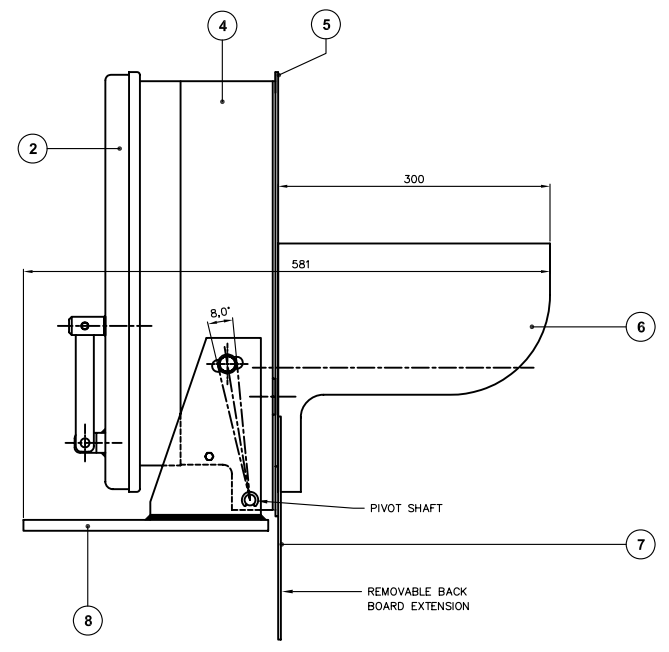
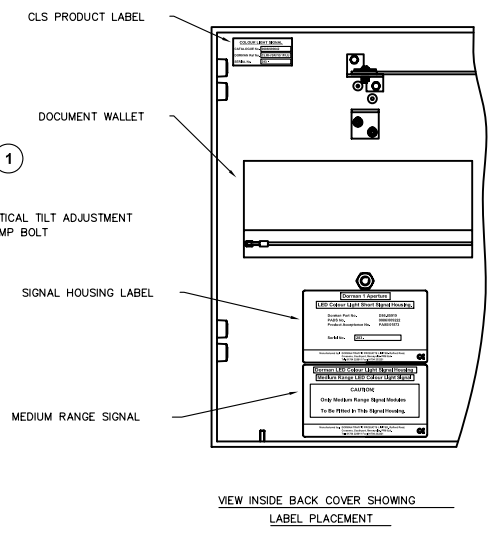
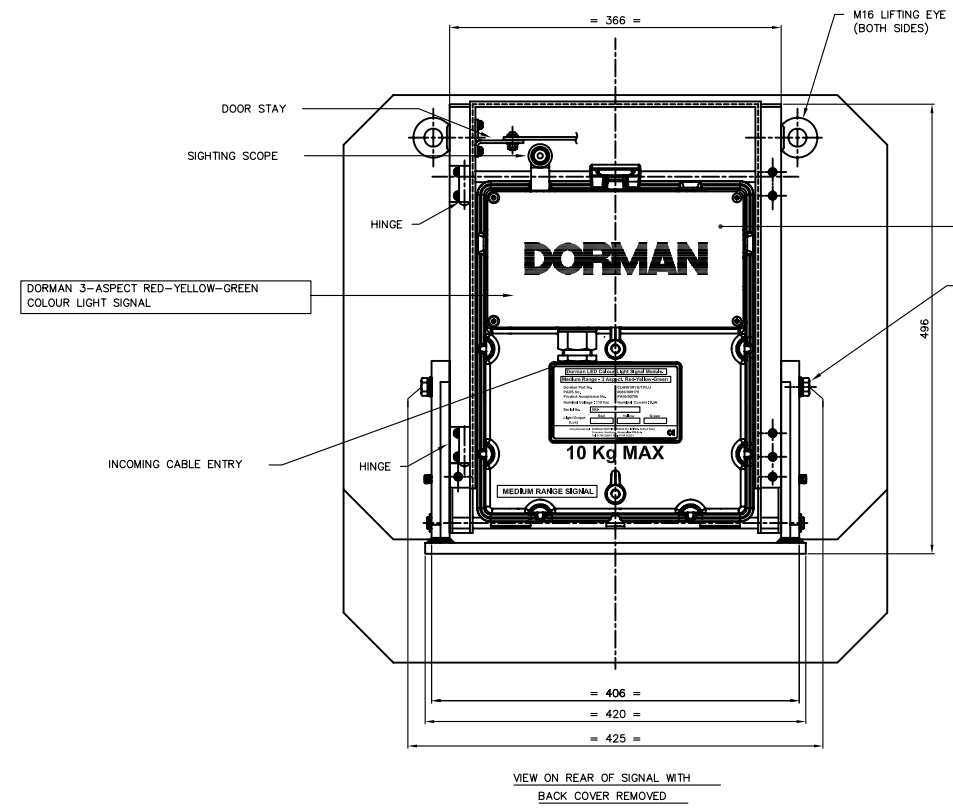
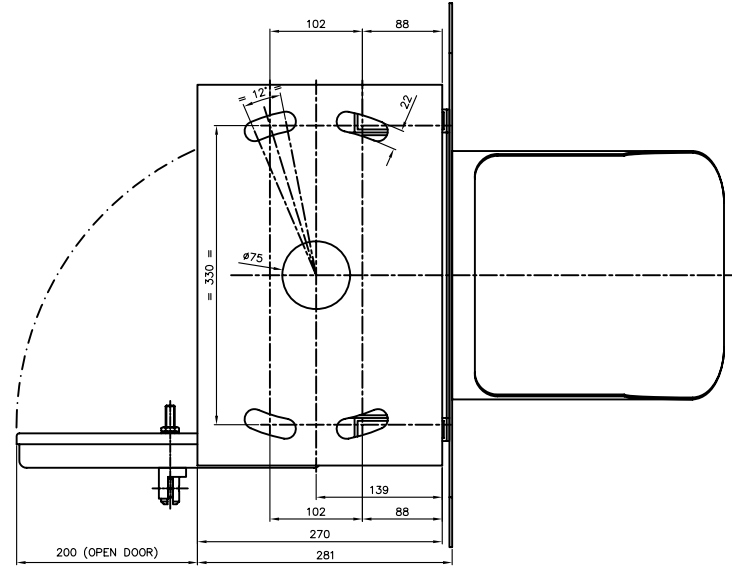


ITEM	QTY	PART N°	MATERIAL	DESCRIPTION
1	1	0086/009170	CAST ALUMINIUM ENCLOSURE	DORMAN 3-ASPECT RED-YELLOW-GREEN COLOUR LIGHT SIGNAL. REF. No. CLMM/3RYG/1P/LU
2	1	B20.19154	ALUMINIUM	DOOR
3				
4	1	B20.19155	ALUMINIUM FABRICATION	1-LENS, 3-ASPECT FRAME
5	1	B20.19156	ALUMINIUM	BACK BOARD 1-APERTURE, 3-ASPECT FRAME
6	1	B20.19104	ALUMINIUM	VISOR
7	1	B20.19123	ALUMINIUM	BACK BOARD EXTENSION
8	1	B20.19124	ALUMINIUM FABRICATION	MOUNTING PLATE
1		0086/009222		FRAME ASSEMBLY (FOR REFERENCE ONLY) DORMAN REF. NO. DB6.85010



VIEW ON REAR OF SIGNAL WITH BACK COVER REMOVED

DORMAN SIGNAL MOUNTS DIRECTLY TO INDICATOR SUPPORT FRAME (AN ADJUSTABLE MOUNTING PLATE IS NOT REQUIRED)



- NOTES:-
- ALL ALUMINIUM COMPONENTS PAINTED ALL OVER WITH: ONE COAT OF TRANSPARENT TWO PACK ETCH PRIMER 101 FOLLOWED BY: ONE COAT OF BLACK MICACEOUS IRON OXIDE BR SPEC No. 70 ITEM 30. (FORWARD FACING PARTS) ONE COAT OF LIGHT GREY MICACEOUS IRON OXIDE BR SPEC No. 70 ITEM 27A. (REAR FACING PARTS)
 - WIRING DIAGRAM AND A DOCUMENT WALLET ATTACHED TO INTERNAL FACE OF THE BACK COVER.
 - HORIZONTAL ADJUSTMENT ~ ±6', VERTICAL ADJUSTMENT ~ ±4'
 - ALL FASTENERS ~ STAINLESS STEEL.
 - RKB221 BRASS PADLOCK, PADS No.0086/029003 IS NOT SUPPLIED WITH THIS ASSEMBLY.

TOTAL ASSEMBLED SIGNAL MASS - 26Kg.
MAXIMUM MASS OF MODULE - 10Kg.

ISS	DATE	INI	ALTERATIONS
2	18/01/06	MD	SEE DCC 3028
1	12/12/05	DR	SEE DCC2996
0	14/11/05	MD	DCC No. 2956



MEDIUM RANGE LED COLOUR LIGHT		DORMAN	
TITLE SPACE ENVELOPE/MECHANICAL INTERFACE DRAWING 3 ASP, 1 APER (SHORT) CLS - LU		THIRD ANGLE PROJ Document N° 0101-3211-1	
MATERIAL		DORMAN TRAFFIC PRODUCTS LTD SOUTHPORT PR9 BLA ENGLAND	
TOLERANCES X + / - 0,25 X,0 + / - 0,10 X,00 + / - 0,05 X,000 + / - 0,025 ANGULAR + / - 0,25°		THIS DOCUMENT AND THE INFORMATION THEREIN IS CONFIDENTIAL AND MAY NOT BE USED OR DISCLOSED WITHOUT WRITTEN AUTHORIZATION DRAWING No PART No. 0086/009042	
DATE 14/11/2005 SCALE NTS SHEET 1 OF 1 SHEETS		ISSUE 2	