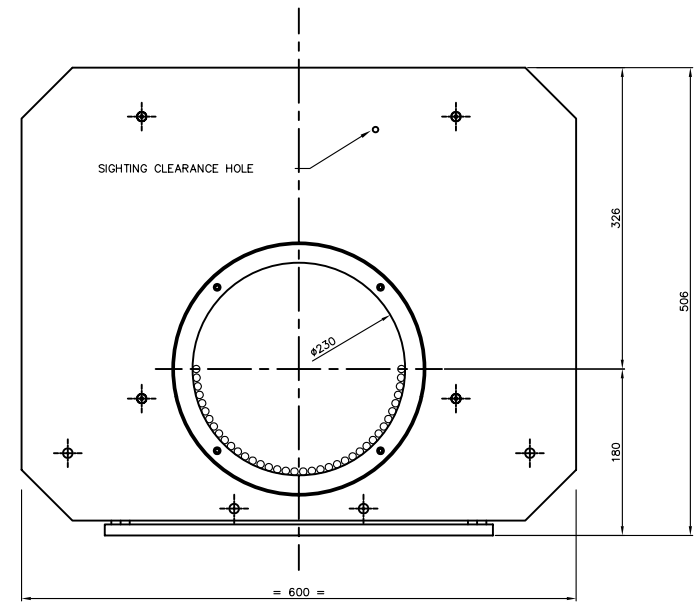
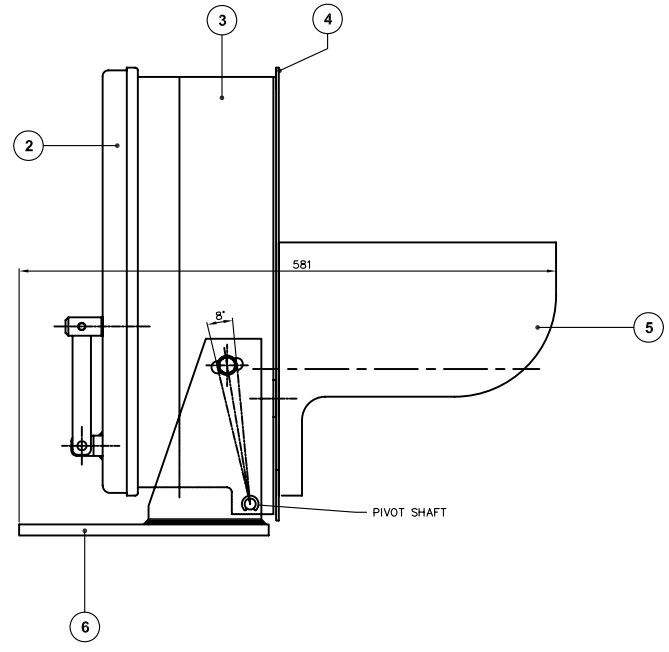
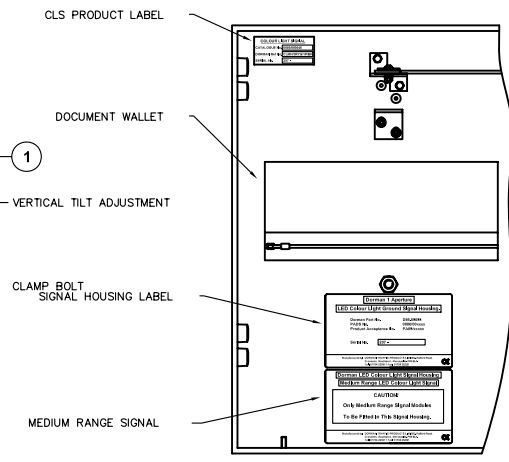
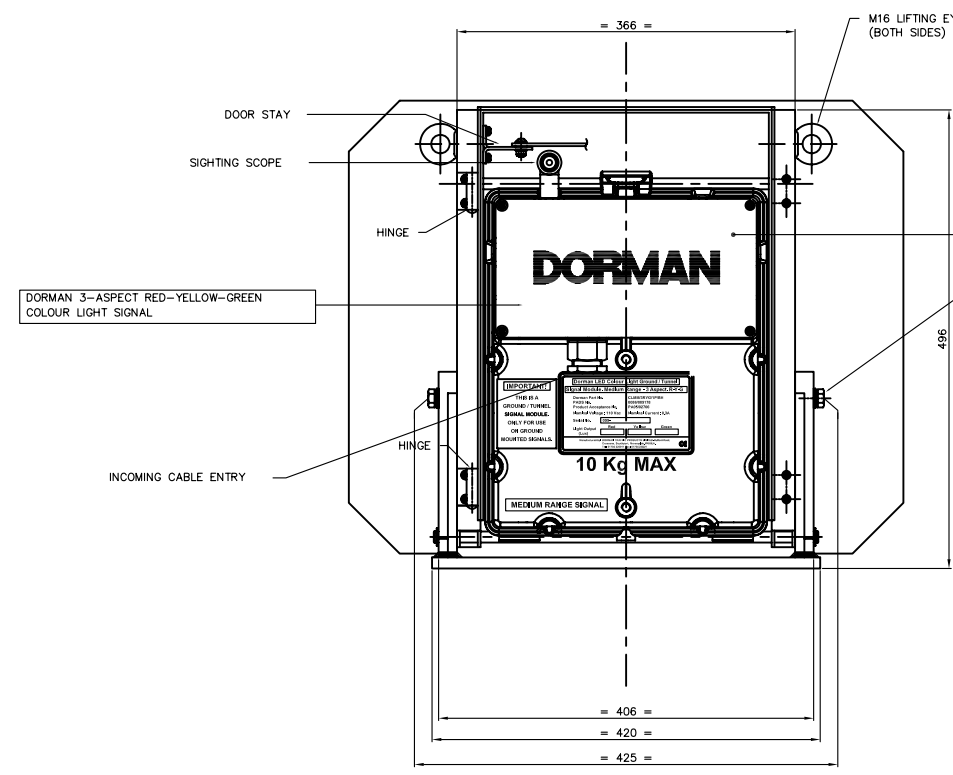


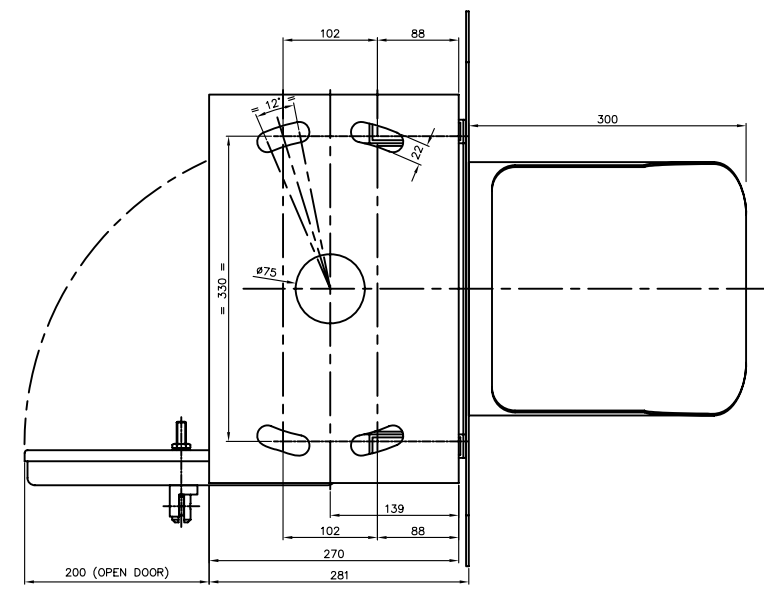
ITEM	QTY	PART N°	MATERIAL	DESCRIPTION
1	1	0086/009178	CAST ALUMINIUM ENCLOSURE	DORMAN 3-ASPECT RED-YELLOW-GREEN COLOUR LIGHT SIGNAL. REF. NO. CLMH/3RYG/1P/BH
2	1	B20.19154	ALUMINIUM	DOOR
3	1	B20.19155	ALUMINIUM FABRICATION	1-LENS, 3-ASPECT FRAME
4	1	B20.19156	ALUMINIUM	BACK BOARD 1-APERTURE, 3-ASPECT FRAME
5	1	B20.19104	ALUMINIUM	VISOR
6	1	B20.19124	ALUMINIUM FABRICATION	MOUNTING PLATE
1	1	DB6.85055		FRAME ASSEMBLY (FOR REFERENCE ONLY) PADS NO. TBA



VIEW ON REAR OF SIGNAL WITH BACK COVER REMOVED

VIEW INSIDE BACK COVER SHOWING LABEL PLACEMENT

DORMAN SIGNAL MOUNTS DIRECTLY TO INDICATOR SUPPORT FRAME (AN ADJUSTABLE MOUNTING PLATE IS NOT REQUIRED)



- NOTES:-
- ALL ALUMINIUM COMPONENTS PAINTED ALL OVER WITH: ONE COAT OF TRANSPRED TWO PACK ETCH PRIMER 101 FOLLOWED BY: ONE COAT OF BLACK MICACEOUS IRON OXIDE. BR SPEC No. 70 ITEM 30. (FORWARD FACING PARTS) ONE COAT OF LIGHT GREY MICACEOUS IRON OXIDE. BR SPEC No. 70 ITEM 27A. (REAR FACING PARTS)
  - WIRING DIAGRAM AND A DOCUMENT WALLET ATTACHED TO INTERNAL FACE OF THE BACK COVER.
  - HORIZONTAL ADJUSTMENT ~ ±6', VERTICAL ADJUSTMENT ~ ±4'
  - ALL FASTENERS ~ STAINLESS STEEL.
  - RKB221 BRASS PADLOCK, PADS No.0086/029003 IS NOT SUPPLIED WITH THIS ASSEMBLY.

TOTAL ASSEMBLED SIGNAL MASS - 26Kg.  
MAXIMUM MASS OF MODULE - 10Kg.

DO NOT SCALE

MEDIUM RANGE LED COLOUR LIGHT

TITLE: SIGNAL ENVELOPE/MECHANICAL INTERFACE DRAWING 3 ASPECT GROUND MOUNTED CLS		THIRD ANGLE PROJ Document N° 0101-3215-1
MATERIAL	TOLERANCES	DRAWN M.DURHAM APPROVED L.GREEN
	X + / - 0,25	DATE 14/11/2005
	X,0 + / - 0,10	SCALE NTS
	X,00 + / - 0,05	SHEET 1 OF 1 SHEETS
	X,000 + / - 0,025	
	ANGULAR + / - 0,25°	

1	18/01/06	MD	SEE DCC 3028
0	14/11/05	MD	DCC No. 2956
ISS	DATE	INI	ALTERATIONS

**DORMAN**

DORMAN TRAFFIC PRODUCTS LTD  
SOUTHPORT PR9 8LA ENGLAND

THIS DOCUMENT AND THE INFORMATION THEREIN IS CONFIDENTIAL AND MAY NOT BE USED OR DISCLOSED WITHOUT WRITTEN AUTHORIZATION		
DRAWING No	PART No.	ISSUE
0086/009046		1

DORMAN REF. No.  
CLMH/3RYG/1P/BH

CUSTOMER REF No.

ALL DIMENSIONS IN mm UNLESS OTHERWISE STATED