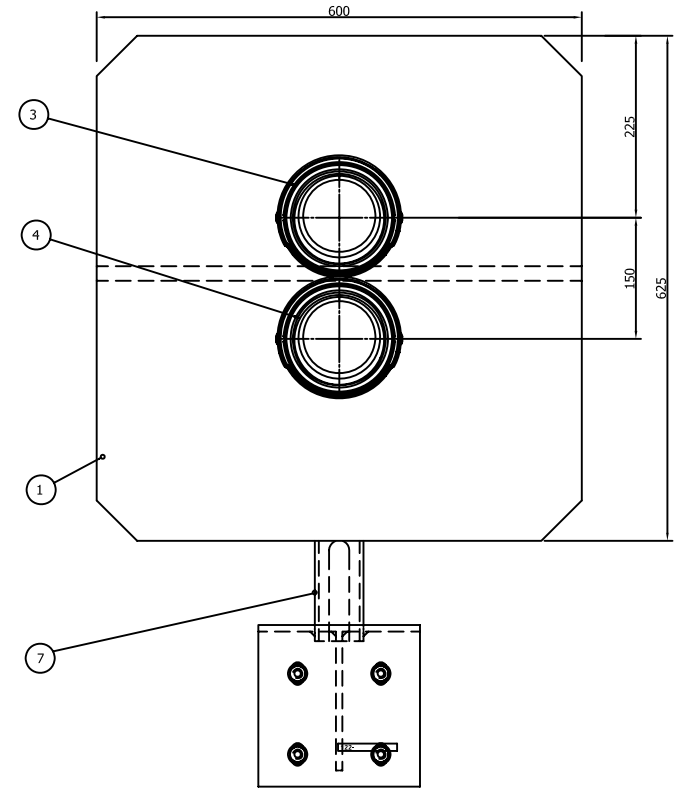
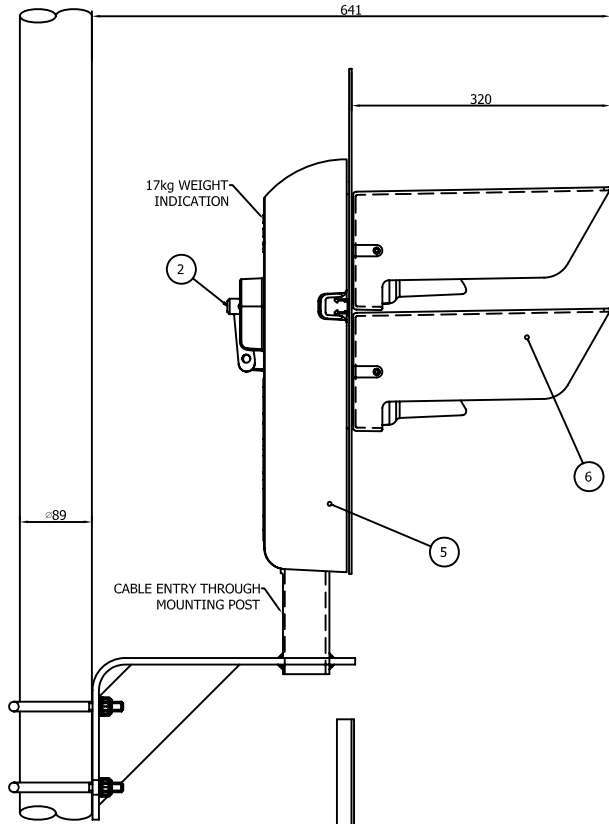
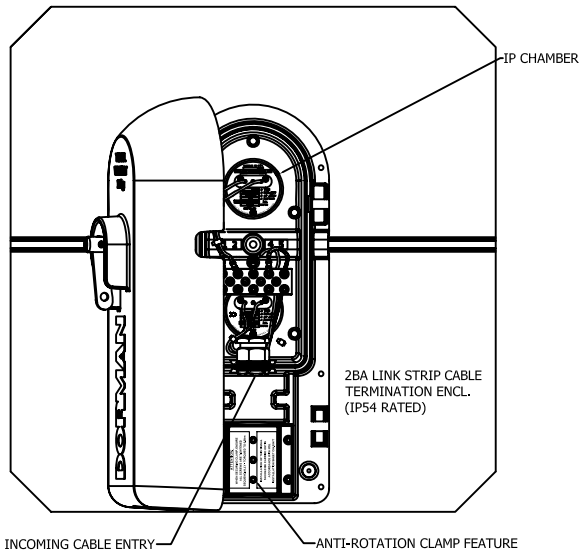
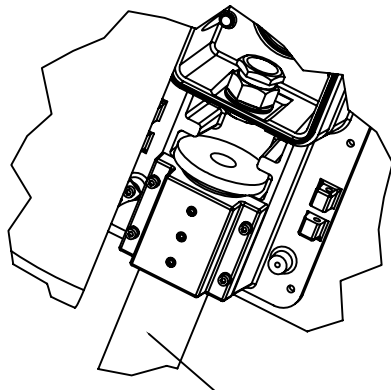


REAR VIEW OF SIGNAL WITH COVER OPEN & INTERFACE BRACKET REMOVED.



NOTES:

1. WIRING DIAGRAM ATTACHED TO INNER FACE OF COVER.
2. ALL FASTENERS - STAINLESS STEEL
3. RKB221 BRASS PADLOCK, PADS No. 0086/029003 IS NOT SUPPLIED WITH THIS ASSEMBLY.
4. PAINT FINISHES:
MAIN ENCLOSURE - ALPHA GREY CP0172
BACKBOARD - FRONT & SIDES - MIO BLACK BR SPEC. No. 70 ITEM 30
REAR - MIO GREY BR SPEC. No. 70 ITEM 27A
INTERFACE BRACKET - MIO BLACK BR SPEC No. 70 ITEM 30



DCI MOUNTING POST(∅60.3mm)
LOCATED ON INTERFACE BRACKET

DETAIL OF POST MOUNT & CLAMPING ARRANGEMENT.
NOTE: THIS SECTION IS COVERED BY CLOSURE OF THE HINGED DOOR FOR ANTI-VANDAL PURPOSES.

SITE INSTALLATION NOTE

WHEN INSTALLING DCI ONTO I/FACE BRACKET POST, ENSURE THE FOLLOWING TORQUE SETTINGS ARE MET:
4 OFF M6 SOCKET HD. SCREWS (CLAMPING BLOCK) - 6.8Nm.
3 OFF M8 GRIP SCREWS (MIDDLE OF CLAMP BLOCK) - 6.8Nm.

DRIVERS CROSSING INDICATOR POST MOUNTING	
Dorman Part No.	008183092103
Classification No.	008183092103
Acceptance No.	0225079201
Nominal Voltage	24VDC
Current (Max)	0.5A
Current (Min)	0.5A
Serial No.	0225

Manufactured by: DORMAN
Rufford Road, Crossens, Southport,
Merseyside, PR9 6LA,
Tel: 01704 220911 Fax: 01704 232221

PRODUCT / WIRING DIAGRAM LABEL DETAIL
FIXED TO INSIDE REAR DOOR

ALL DIMENSIONS IN mm UNLESS OTHERWISE STATED

Parts List				
ITEM	QTY	PART NUMBER	TITLE	MATERIAL
1	1	B20.19209	DCI BACKBOARD ASSY	ALUMINIUM
2	1	B81.80021	LOCKING BOLT ASSY	MILD STEEL (ZINC PLATED)
3	1	SLM2/W-/2/P/O	SLM ASSEMBLY WHITE - OVERHEAD PADS No. xxxxx/xxxxxxx	ALUMINIUM
4	1	SLM1/R-/2/N/O	SLM ASSEMBLY RED - OVERHEAD PADS No. xxxxx/xxxxxxx	ALUMINIUM
5	1	D81.80072	MAIN HOUSING ASSEMBLY	ALUMINIUM
6	2	B81.80000M001	VISOR	ALUMINIUM
7	1	D81.80077	SIGNAL INTERFACE BRACKET	MILD STEEL (ZINC PLATED)

TOTAL ASSEMBLED SIGNAL MASS = 17kg.

INTERFACE BRACKET MASS = 10kg.

DO NOT SCALE

ORIGINAL DRAWING FRAME A1 | DO NOT SCALE

DORMAN REF No.
DCI11/RW/2/PN/O

CUSTOMER REF No.

TITLE
DRIVERS CROSSING INDICATOR ASSEMBLY

THIRD ANGLE PROJ
Document # 0125-4201-1

MATERIAL
X 0.25
X 0.10
X 0.05
X 0.025
X 0.015
ANGULAR + / -

DRAWN M.DURHAM
APPROVED L.GREEN
DATE 27/02/2008
SCALE NTS
SHEET 1 OF 1 SHEETS

3	02/05/07	MD	SEE DCC No. 3606
2	26/02/07	MD	SEE DCC No. 3532
1	26/10/06	MD	SEE DCC No. 3359
0	07/06/06	MD	DCC No. 3074
ISS	DATE	INI	ALTERATIONS

DORMAN

SOUTHPORT PR9 6LA ENGLAND

THIS DOCUMENT AND THE INFORMATION THEREIN IS CONFIDENTIAL AND MAY NOT BE USED OR DISCLOSED WITHOUT WRITTEN AUTHORIZATION
DRAWING No PART No.
0088/028781