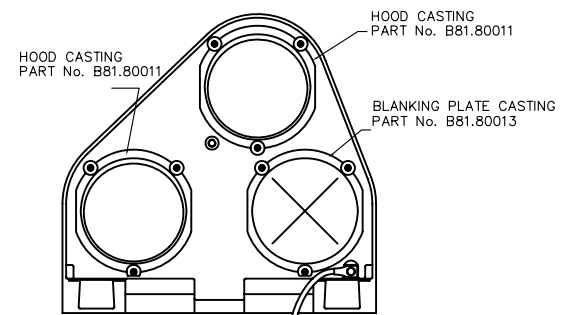
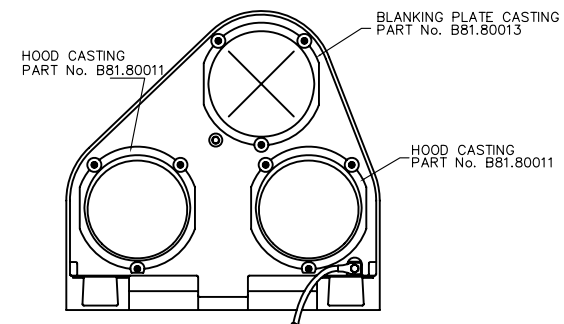


VERSION	DORMAN PART No.	PADS No.
ELEVATED VERSION	GPL2/RRW/1/P/O	086/001307
GROUND VERSION	GPL2/RRW/1/P/G	086/001306
ELEVATED VERSION	GPL2/YWYW/1/P/O	086/001313
GROUND VERSION	GPL2/YWYW/1/P/G	086/001312



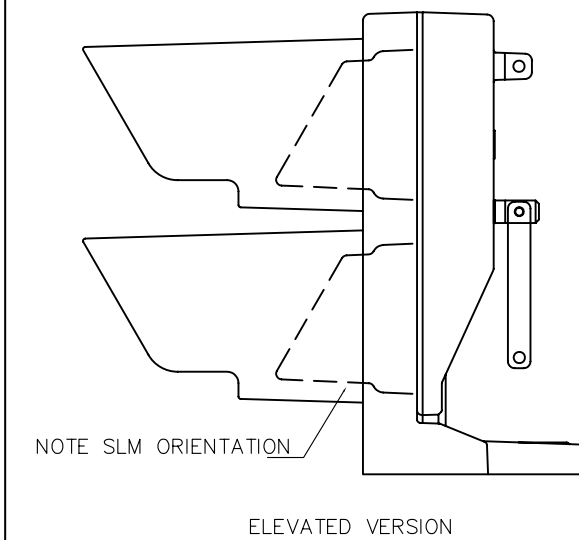
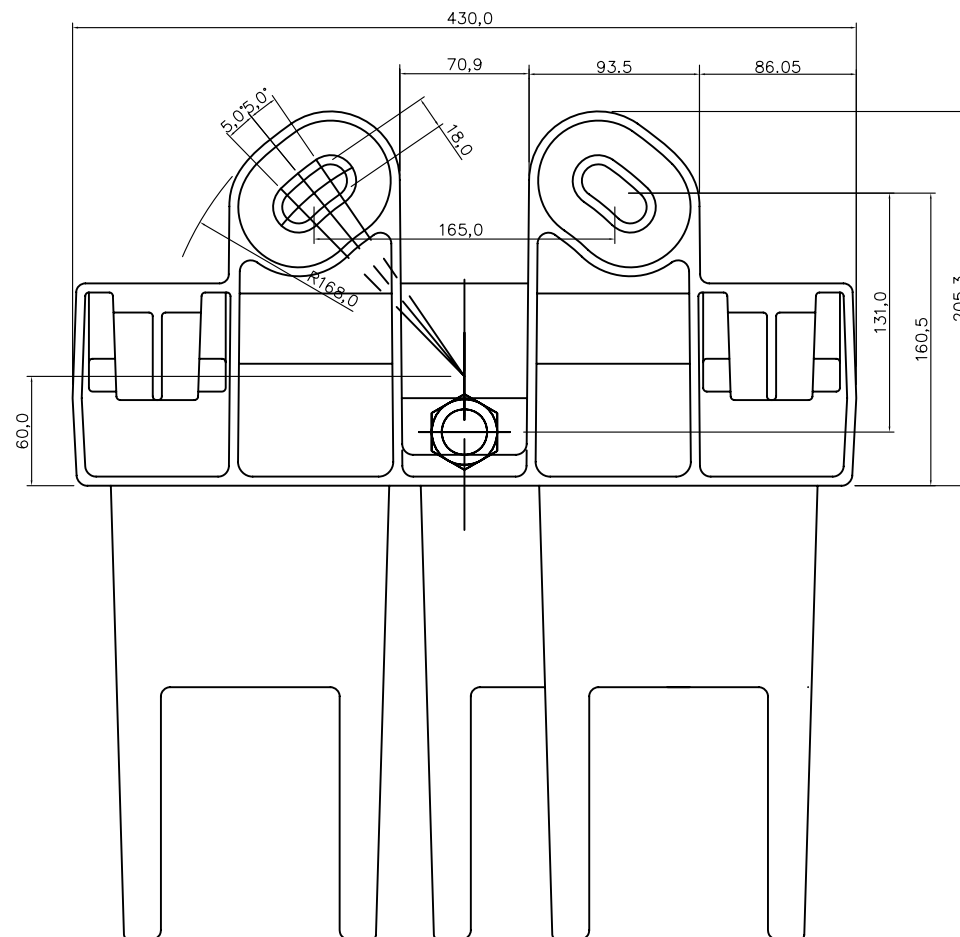
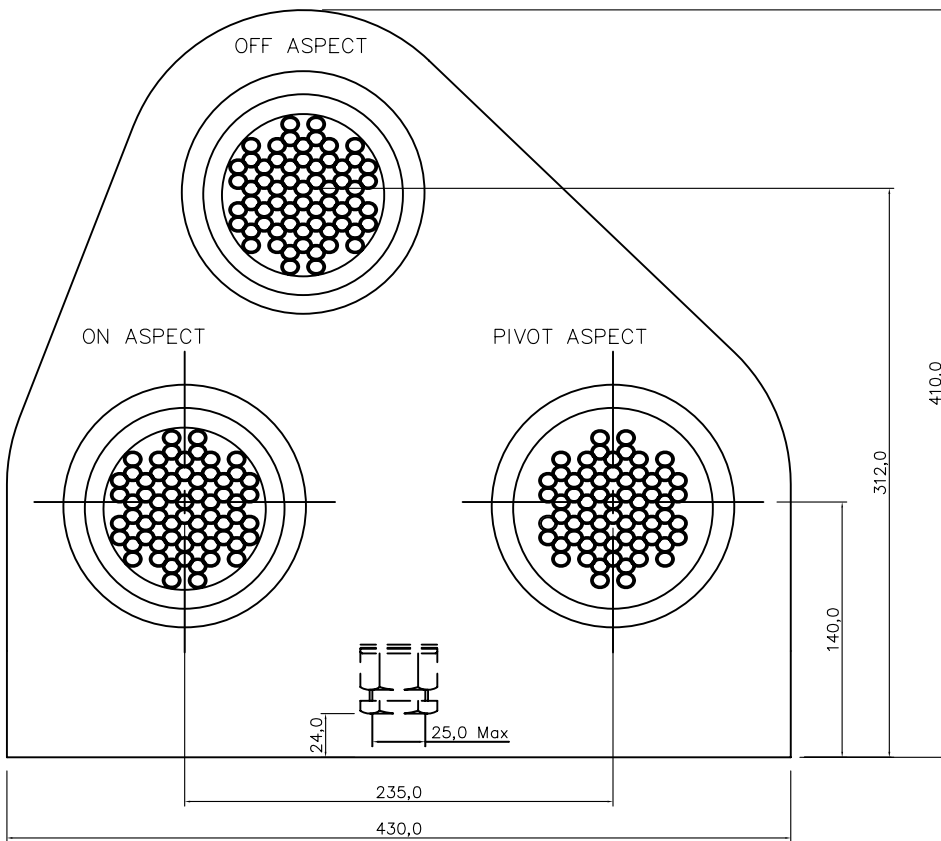
PL1W VERSION

VERSION	DORMAN PART No.	PADS No.
ELEVATED VERSION	GPL2/WOOW/1/P/O	086/001309
GROUND VERSION	GPL2/WOOW/1/P/G	086/001308



PL1R VERSION

VERSION	DORMAN PART No.	PADS No.
ELEVATED VERSION	GPL2/RORO/1/P/O	086/001311
GROUND VERSION	GPL2/RORO/1/P/G	086/001310



ELEVATED VERSION

0	5-04-06	GMC	ORIGINAL DCC No.
ISS	DATE	INI	ALTERATIONS

DORMAN

DORMAN TRAFFIC PRODUCTS LTD
SOUTHPORT PR9 8LA ENGLAND

THIS DOCUMENT AND THE INFORMATION THEREIN
IS CONFIDENTIAL AND MAY NOT BE USED OR
DISCLOSED WITHOUT WRITTEN AUTHORIZATION

DRAWING / PART No.	ISSUE
PRODUCT CONFIGURATION	0

TITLE		THIRD ANGLE PROJ	
POSITION LIGHT SIGNAL PRODUCT CONFIGURATION		Document N°	
MATERIAL		DRAWN	GMC
TOLERANCES		CHECK	CSP
X	+ / -	DATE	05-04-06
X,0	+ / -	SCALE	NTS
X,00	+ / -	SHEET 1	OF 1 SHEETS
X,000	+ / -		
ANGULAR	+ / -		

ALL DIMENSIONS IN mm UNLESS STATED OTHERWISE
CUST REF NO.

DO NOT SCALE

ORIGINAL DRAWING FRAME : A3