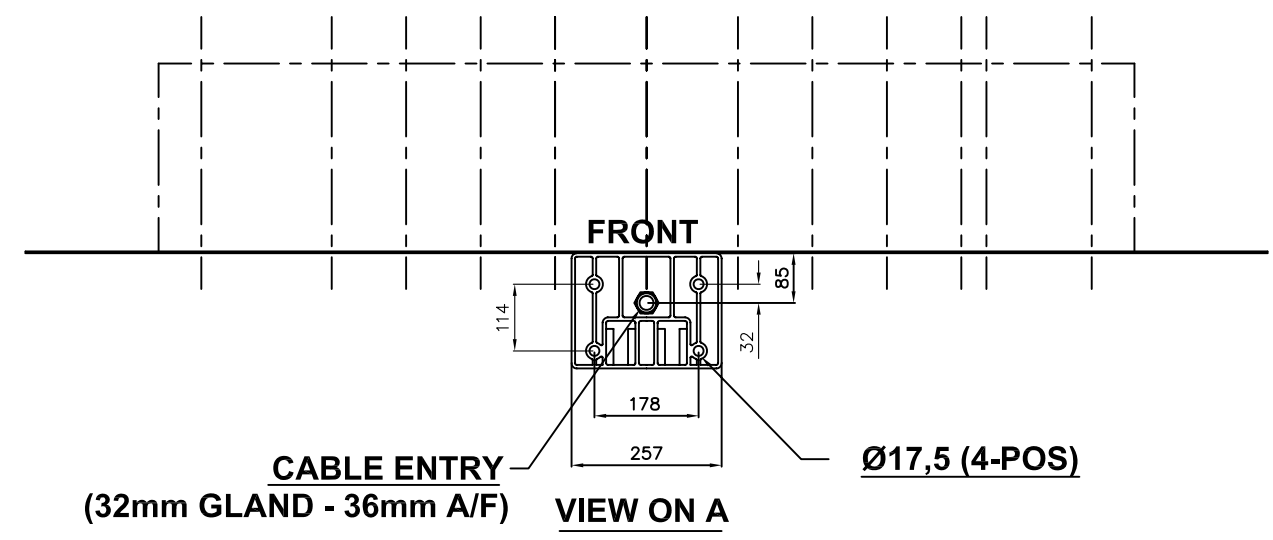


↑
A



CABLE ENTRY
(32mm GLAND - 36mm A/F) **VIEW ON A** **Ø17,5 (4-POS)**

ALL DIMENSIONS IN mm UNLESS OTHERWISE STATED

SPACE ENVELOPE/MECHANICAL INTERFACE DRAWING		PROJECT No. 104
TITLE JUNCTION INDICATOR POS 1+2+3+4+5		THIRD ANGLE PROJ Document N° 0104-6822-1
MATERIAL	TOLERANCES	DRAWN MD
	X	CHECKED IW AUTH. IW
	X,0	DATE 26/03/2007
	X,00	SCALE 1:1
	X,000	SHEET 1 OF 1 SHEETS
	ANGULAR	

0	26/03/07	MD	DCC No. 3564
ISS	DATE	INI	ALTERATIONS

DORMAN

SOUTHPORT PR9 8LA ENGLAND

THIS DOCUMENT AND THE INFORMATION THEREIN IS CONFIDENTIAL AND MAY NOT BE USED OR DISCLOSED WITHOUT WRITTEN AUTHORIZATION

DRAWING No PART No.
0086/021012

DO NOT SCALE

ORIGINAL DRAWING FRAME A1 DO NOT SCALE

DORMAN REF No.
PLJIS/12345--/PO

CUSTOMER REF No.