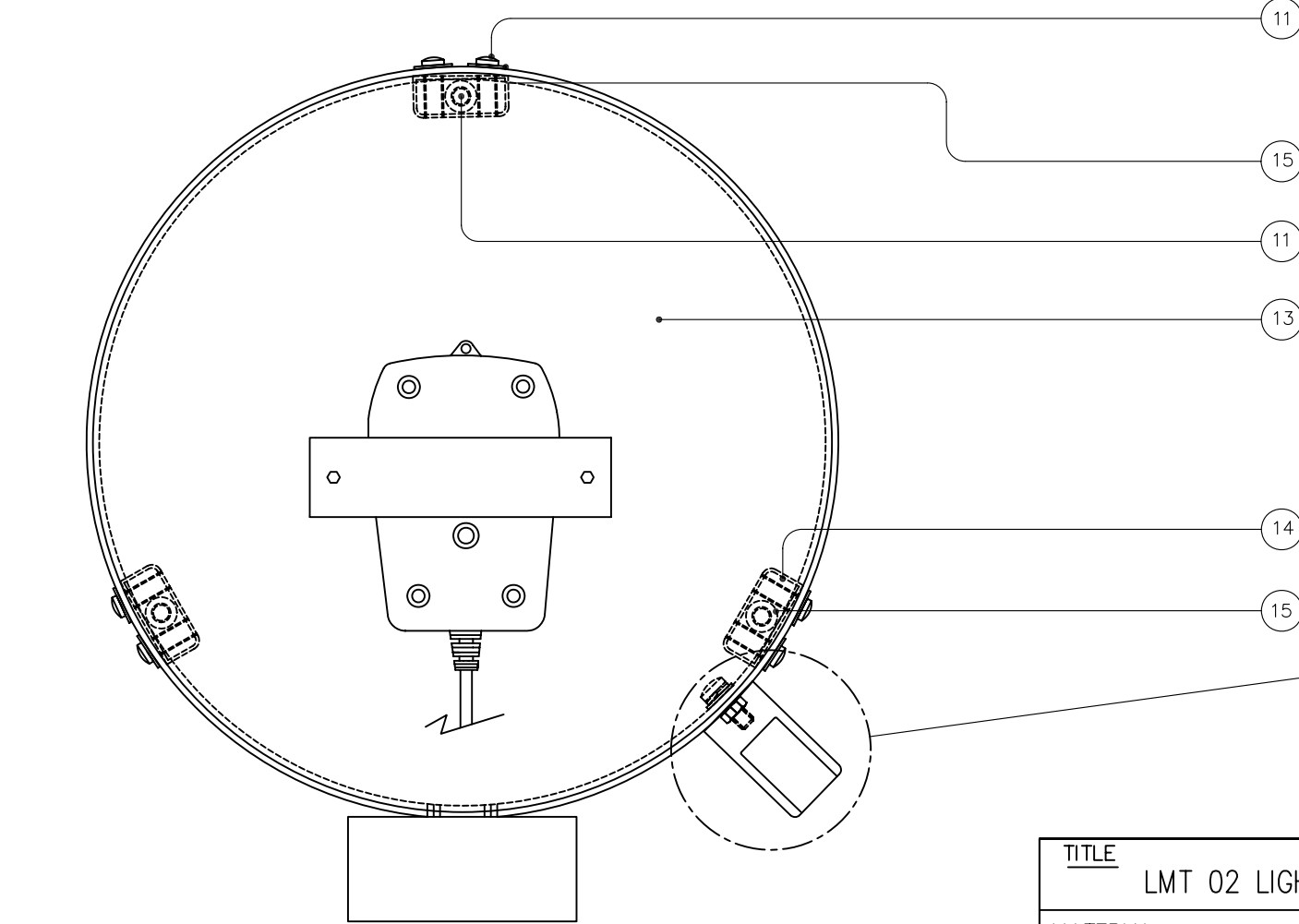


ITEM	QTY	PART N°	DESCRIPTION
1	2	B18.17144	M4 X 16 BUTTON HEX SCREW
2	4	B18.17051	M4 SPRING WASHER
3	4	B18.17047	M4 PLAIN WASHER
4	2	B17.16135	M4 X 16 HEX SPCR M/F
5	2	B18.17050	M4 NUT
6	1	B21.20088	CLAMP PLATE
7	1	B09.08151	CLAMP PAD
8	1	B13.12267	TES1330A LUXMETER(b) & PHOTODETECTOR(a)
9	1	B21.20084	ALUMINIUM HOUSING SPINNING
10	0.74M	C62.61163	SEALING STRIP 1.0-2.0 mm RS 823-544
11	11	B18.17131	M6 X 16 BUTTON HEAD HEX SCREW S/S
12	4	B18.17063	M6 S/S SPRING WASHER
13	1	B09.08228	POLYCARB FILTER 3mm OPAL EXCELL D 82939
14	3	C62.61167	FILTER MOUNTING BLOCK
15	11	B18.17018	M6 PLAIN WASHER S/S
16	2	B18.17015	M6 FULL NUT S/S
17	1	B09.08226	HANDLE MALE TYPE 1 RS 267-0724
18	1	B09.08230	EQUIPMENT CASE
19	1	C64.63335	LABEL LIGHT MEASURING TOOL (LMT02)
20	1	C64.63334	LMT 02 OPERATING INSTRUCTIONS
21	1	C64.63391	METER BATTERY NOTE LABEL

DO REF. ALTERNATIVE HANDLE - RENCOL PART No. 2093 B 6,5 BORE

NOTE: REMOVE BATTERY STAND BEFORE FITTING LABEL (C64.63391) ON REAR OF METER.
TEST TO WORKS TEST REQUIREMENT
WTR 2108
BUILD ASSEMBLY TO WI 2107



1	27/01/05BT	SEE DCC 2681
0	06/09/04 GM	ORIGINAL DCC No. 2536
ISS	DATE	INI ALTERATIONS

DORMAN

DORMAN TRAFFIC PRODUCTS LTD SOUTHPORT PR9 8LA ENGLAND	
THIS DOCUMENT AND THE INFORMATION THEREIN IS CONFIDENTIAL AND MAY NOT BE USED OR DISCLOSED WITHOUT WRITTEN AUTHORIZATION	
DRAWING / PART No.	ISSUE
LMT 02	1

TITLE LMT 02 LIGHT MEASURING TOOL GA		THIRD ANGLE PROJ	
MATERIAL		Document N° a101-374-1	
TOLERANCES		DRAWN IAN WELDING	
X	+ / -	0,25	CHECK LG
X,0	+ / -	0,10	DATE 07/04/04
X,00	+ / -	0,05	SCALE 1:2
X,000	+ / -	0,025	SHEET 1 OF 1 SHEETS
ANGULAR	+ / -	0.25°	

ALL DIMENSIONS IN mm UNLESS STATED OTHERWISE
CUST REF NO. PADS No. 086/009923

DO NOT SCALE

ORIGINAL DRAWING FRAME : A3