



Pictorial representation only

European Marker Tail Lamp

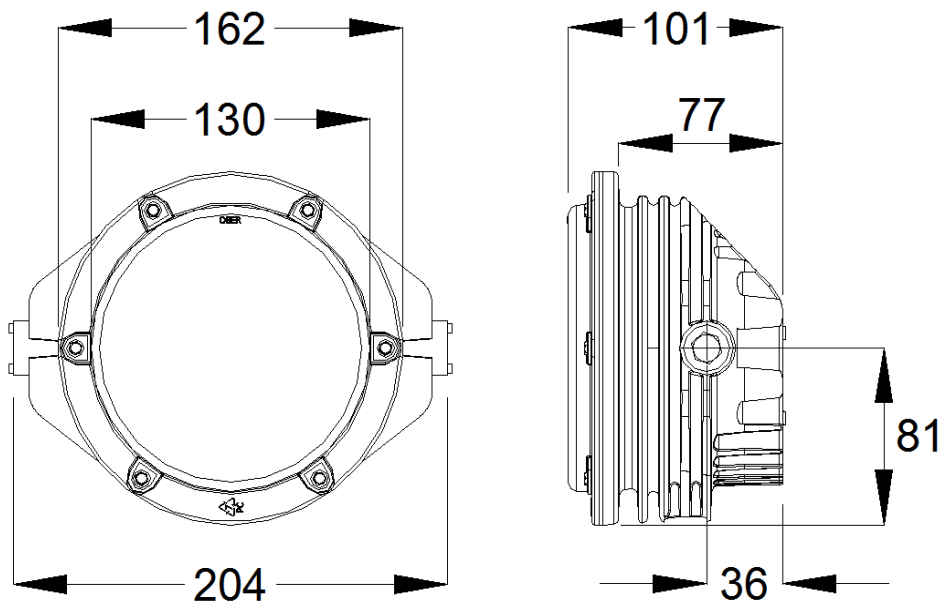
Benefits

- > Dual Aspect Red Tail / White Marker Lamp
- > High reliability LEDs
- > Dramatically reduces train maintenance and running costs
- > The unit can be easily fitted onto an existing bracket or adapted for any mounting on a vehicle
- > Increased safety and reliability
- > Available for supply voltages of 110Vdc, 74Vdc and 24Vdc
- > Nominal current white aspect 900mA
- > Nominal current red aspect 40mA
- > Rated to IP66
- > Total weight 2.2kg
- > Aluminium cast assembly
- > High impact resistant polycarbonate lens
- > Stainless steel fixings
- > Breathing mechanism to reduce condensation
- > RoHS compliant

In accordance with:

UIC 532	Freight wagons and passenger coaches; signal supports; passenger coaches; fixed electrical signals
UIC 534	Signals and signal supports of locomotives, motor units and multiple units
DIN 6163-4	Colours and colour limits for signal lights; railway signal lights
EN 50121-3-2	Railway applications – electromagnetic compatibility rolling stock – apparatus
EN 50125-1	Environmental conditions of equipment – equipment on board rolling stock
EN 50153	Railway applications – rolling stock – protective provisions relating to electrical hazards
EN 50155	Electronic equipment on rail vehicles
EN 15153-1	Railway applications – External visible & audible devices for high speed trains – Part 1: Head, Marker & Tail Lamps

General Dimensions



Alternative housings and mountings to individual vehicle requirements available on request

DORMAN
 Rufford Road
 Crossens
 Southport PR9 8LA
 T: +44 (0)1704 220911
 F: +44 (0)1704 232221
 E: sales@dorman.co.uk
 www.dorman.co.uk



Certificate No. FM14371

www.dorman.co.uk

DORMAN
 The Leading Light