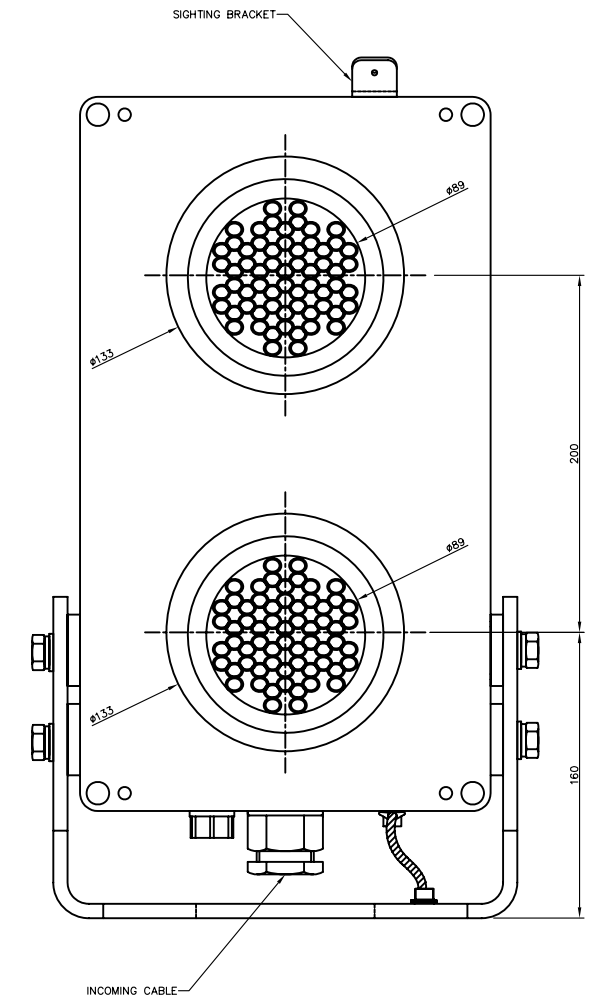
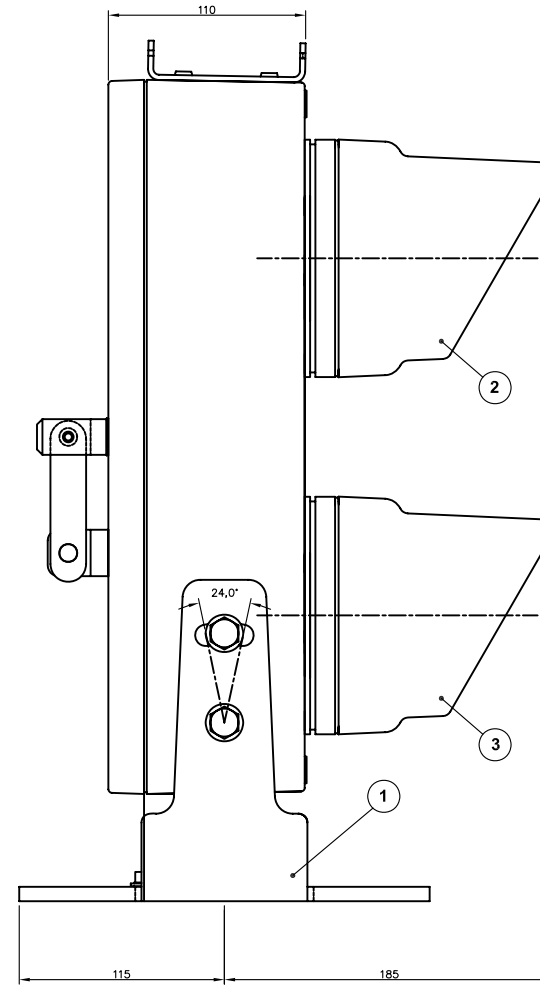
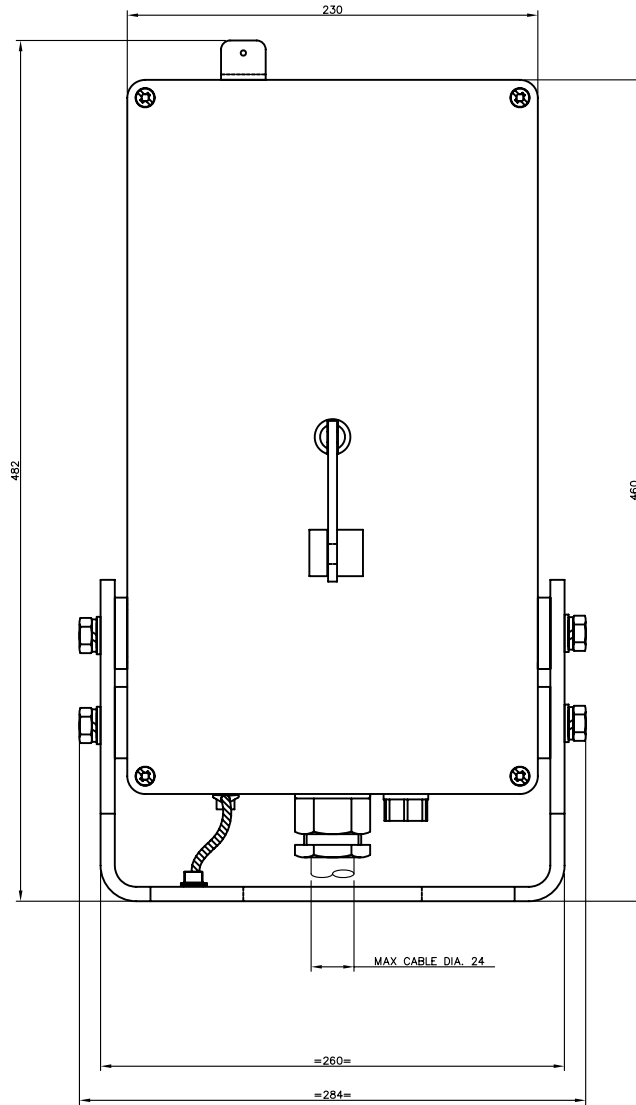
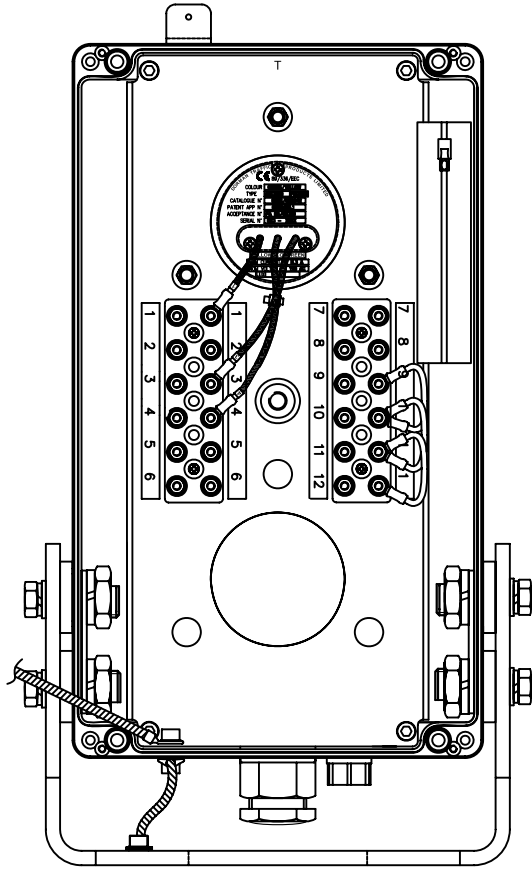
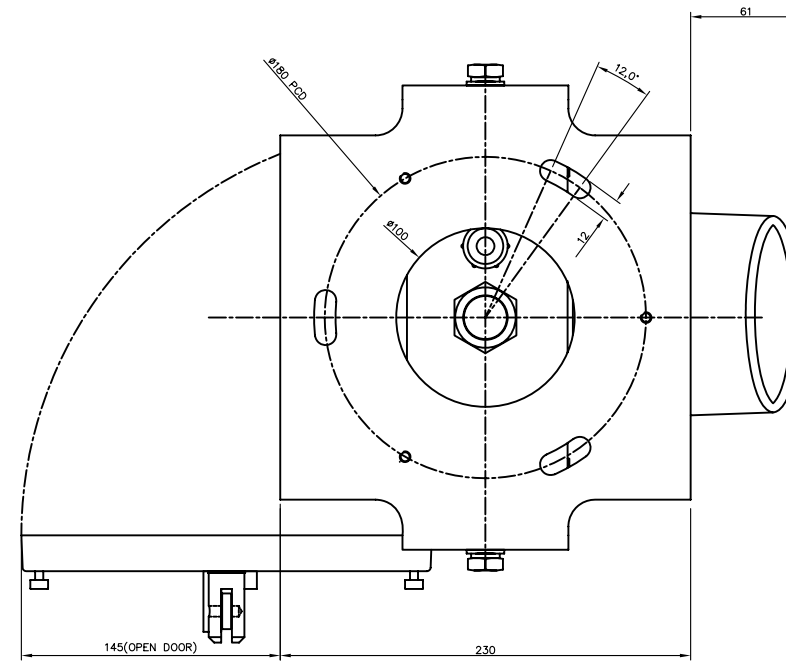


INTERNAL VIEW OF ENCLOSURE WITH LID REMOVED



| ITEM | QTY | DORMAN PART No. | DESCRIPTION |
|------|-----|-----------------|---|
| 1 | 1 | D86.85167 | 3 ASPECT ENCLOSURE & FRAME |
| 2 | 1 | MTM2/R/Y/1/P/G | MODULE 2 ASPECT RED/YELLOW (PADS No. 0086/009240) |
| 3 | 1 | MTM2/G-/1/P/G | MODULE 1 ASPECT GREEN (PADS No. 0086/009241) |

TOTAL ASSEMBLED SIGNAL MASS ~ 12Kg.



NOTES:-

- ALL ALUMINIUM COMPONENTS PAINTED ALL OVER WITH:
ONE COAT OF TRANSPED TWO PACK ETCH PRIMER 101
FOLLOWED BY :
ONE COAT OF BLACK MICACEOUS IRON OXIDE.
BR SPEC No. 70 ITEM 30. (FORWARD FACING PARTS)
ONE COAT OF LIGHT GREY MICACEOUS IRON OXIDE.
BR SPEC No. 70 ITEM 27A. (REAR FACING PARTS)
- WIRING DIAGRAM AND A DOCUMENT WALLET ATTACHED TO INTERNAL FACE OF THE BACK COVER.
- ALL FASTENERS ~ STAINLESS STEEL.
- RKB221 BRASS PADLOCK, PADS No.0086/029003 IS NOT SUPPLIED WITH THIS ASSEMBLY.

| | | | |
|-----|----------|-----|-------------|
| 0 | 27/04/06 | MD | DCC No.3158 |
| ISS | DATE | INI | ALTERATIONS |

DORMAN

| | |
|--|-------|
| DORMAN TRAFFIC PRODUCTS LTD SOUTHPORT PR9 8LA ENGLAND | |
| THIS DOCUMENT AND THE INFORMATION THEREIN IS CONFIDENTIAL AND MAY NOT BE USED OR DISCLOSED WITHOUT WRITTEN AUTHORIZATION | ISSUE |
| DRAWING No PART No. 0086/009163 | 0 |

SPACE ENVELOPE/MECHANICAL INTERFACE DRAWING

| | | | |
|---|------------|--|------------------|
| TITLE 3 ASPECT (R/Y/G) MINIATURE TUNNEL SIGNAL | | THIRD ANGLE PROJ Document N° 016-4717-1 | |
| MATERIAL | TOLERANCES | DRAWN M DURHAM | APPROVED L GREEN |
| X | + / - | DATE 28/04/2006 | SCALE NTS |
| X,0 | + / - | SHEET 1 OF 1 SHEETS | |
| X,00 | + / - | | |
| X,000 | + / - | | |
| ANGULAR | + / - | | |

ALL DIMENSIONS IN mm UNLESS OTHERWISE STATED

DORMAN REF No.
MLTSH/3RYG/1P/G

CUSTOMER REF No.

DO NOT SCALE