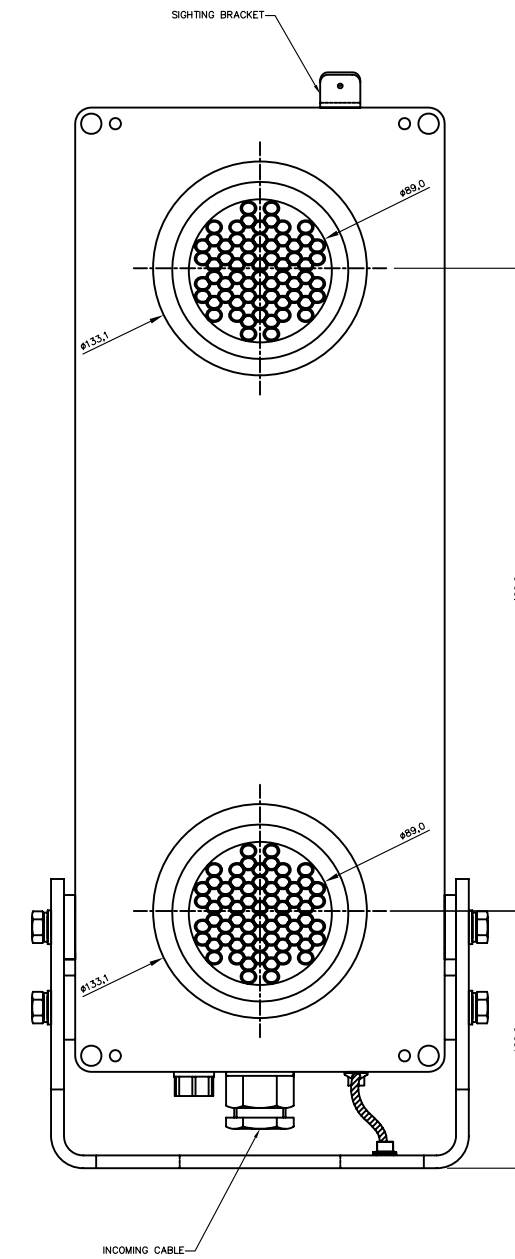
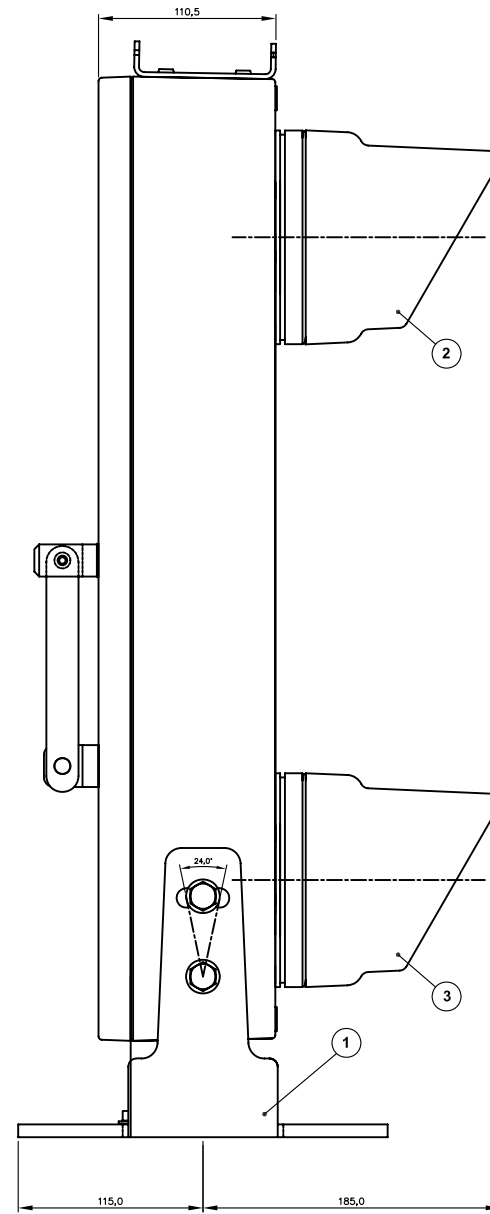
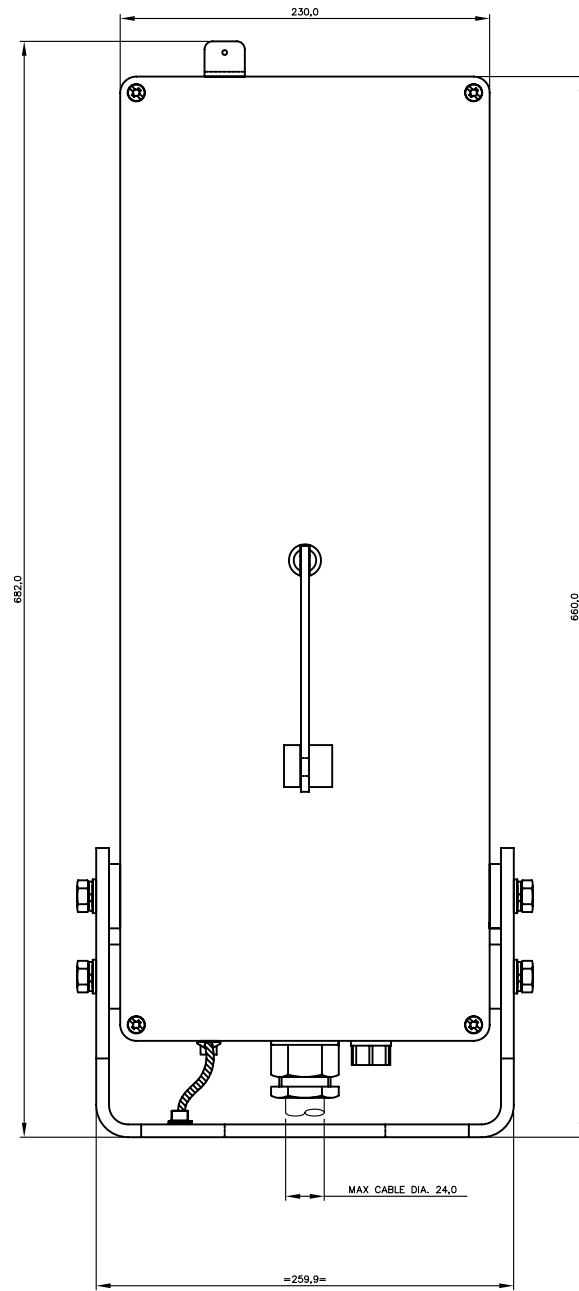
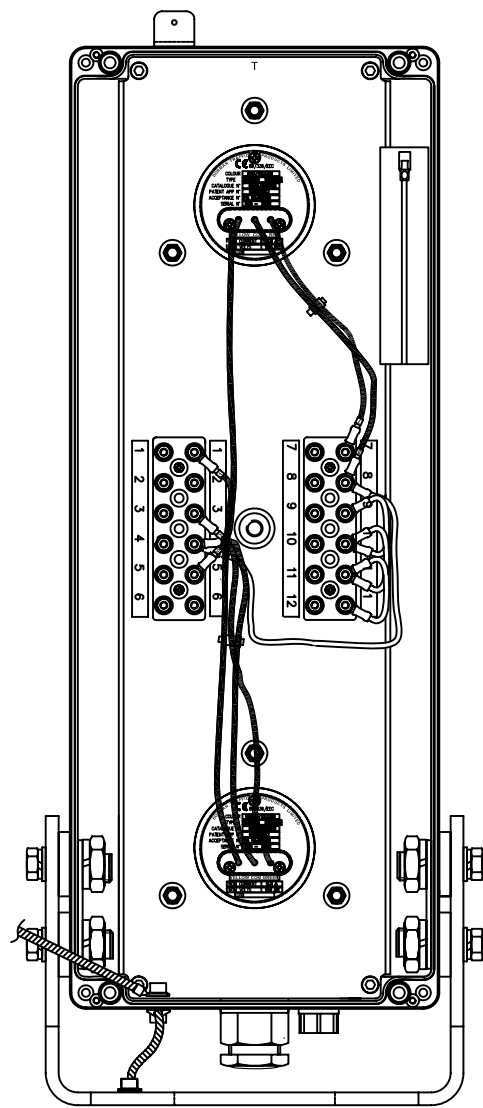


INTERNAL VIEW OF ENCLOSURE WITH LID REMOVED

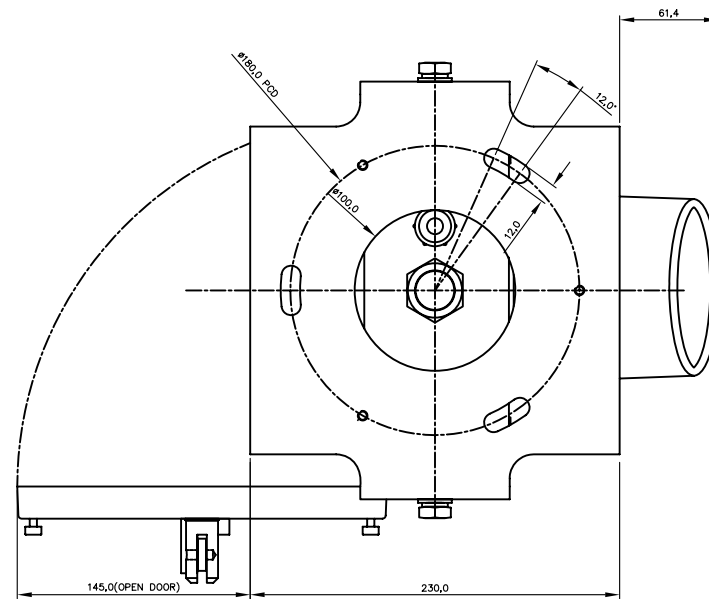


ITEM	QTY	DORMAN PART No.	DESCRIPTION
1	1	DB6.8516B	4 ASPECT ENCLOSURE & FRAME
2	1	MTM2/R/Y/1/P/G	MODULE 2 ASPECT RED/YELLOW (PADS No. 0086/009240)
3	1	MTM2/G/Y/1/P/G	MODULE 2 ASPECT GREEN/YELLOW (PADS No. 0086/009242)

TOTAL ASSEMBLED SIGNAL MASS ~ 13Kg.

NOTES: -

- ALL ALUMINIUM COMPONENTS PAINTED ALL OVER WITH:
ONE COAT OF TRANSPARENT TWO PACK ETCH PRIMER 101
FOLLOWED BY :
ONE COAT OF BLACK MICACEOUS IRON OXIDE.
BR SPEC No. 70 ITEM 30. (FORWARD FACING PARTS)
ONE COAT OF LIGHT GREY MICACEOUS IRON OXIDE.
BR SPEC No. 70 ITEM 27A. (REAR FACING PARTS)
- WIRING DIAGRAM AND A DOCUMENT WALLET ATTACHED TO INTERNAL FACE OF THE BACK COVER.
- ALB. FASTENERS ~ STAINLESS STEEL.
- RK#221 BRASS PADLOCK, PADS No.0086/029003 IS NOT SUPPLIED WITH THIS ASSEMBLY.



ALL DIMENSIONS IN mm UNLESS OTHERWISE STATED

SPACE ENVELOPE/MECHANICAL INTERFACE DRAWING

TITLE 4 ASPECT (R/Y/G/Y) MINIATURE TUNNEL SIGNAL		THIRD ANGLE PROJ Document N° 016-4709-1		DORMAN TRAFFIC PRODUCTS LTD SOUTHPORT PR9 8LA ENGLAND	
MATERIAL		TOLERANCES		DRAWN M DURHAM	
		X + / - 0,25		APPROVED L GREEN	
		X,0 + / - 0,10		DATE 27/04/2006	
		X,00 + / - 0,05		SCALE NTS	
		X,000 + / - 0,025		DRAWING No PART No.	
		ANGULAR + / - 0,25°		SHEET 1 OF 1 SHEETS	
				0086/009164	
				ISSUE	
				0	

DORMAN REF No.
MLTSH/RYG/1P/G

CUSTOMER REF No.

DO NOT SCALE



THIS DOCUMENT AND THE INFORMATION THEREIN IS CONFIDENTIAL AND MAY NOT BE USED OR DISCLOSED WITHOUT WRITTEN AUTHORIZATION